

Guided Waves in Thin-Walled Structural Members.

A Thesis

Presented to

the Department of Civil and Geological Engineering

Faculty of Engineering

The University of Manitoba

In Partial Fulfillment

of the Requirements for the Degree of

Master of Science in Civil Engineering

by

John B.C. Rogers

April 1999



National Library
of Canada

Acquisitions and
Bibliographic Services

395 Wellington Street
Ottawa ON K1A 0N4
Canada

Bibliothèque nationale
du Canada

Acquisitions et
services bibliographiques

395, rue Wellington
Ottawa ON K1A 0N4
Canada

Your file *Votre référence*

Our file *Notre référence*

The author has granted a non-exclusive licence allowing the National Library of Canada to reproduce, loan, distribute or sell copies of this thesis in microform, paper or electronic formats.

The author retains ownership of the copyright in this thesis. Neither the thesis nor substantial extracts from it may be printed or otherwise reproduced without the author's permission.

L'auteur a accordé une licence non exclusive permettant à la Bibliothèque nationale du Canada de reproduire, prêter, distribuer ou vendre des copies de cette thèse sous la forme de microfiche/film, de reproduction sur papier ou sur format électronique.

L'auteur conserve la propriété du droit d'auteur qui protège cette thèse. Ni la thèse ni des extraits substantiels de celle-ci ne doivent être imprimés ou autrement reproduits sans son autorisation.

0-612-41767-0

**THE UNIVERSITY OF MANITOBA
FACULTY OF GRADUATE STUDIES

COPYRIGHT PERMISSION PAGE**

GUIDED WAVES IN THIN-WALLED STRUCTURAL MEMBERS.

BY

JOHN B. C. ROGERS

**A Thesis/Practicum submitted to the Faculty of Graduate Studies of The University
of Manitoba in partial fulfillment of the requirements of the degree**

of

MASTER OF SCIENCE

JOHN B. C. ROGERS ©1999

Permission has been granted to the Library of The University of Manitoba to lend or sell copies of this thesis/practicum, to the National Library of Canada to microfilm this thesis and to lend or sell copies of the film, and to Dissertations Abstracts International to publish an abstract of this thesis/practicum.

The author reserves other publication rights, and neither this thesis/practicum nor extensive extracts from it may be printed or otherwise reproduced without the author's written permission.

Abstract

Many common structural members can be thought of as an assemblage of thin plates. For example, an I shaped cross-section can be made from three or five thin plates and an angle can be thought of as two thin plates whose sides are rigidly attached at an angle, and so on. In this study a multi-purpose computer program was developed, based on a Rayleigh-Ritz (RR) type stiffness approximation, to investigate the wave propagation in infinitely long thin-walled members and the free vibration of thin-walled members that are simply supported at their ends. Also, wave propagation characteristics of these members were studied. To model the behaviour of these types of structural members, using a finite element methodology, an element that closely models the behaviour of a thin plate was created. There are two uncoupled motions of a homogeneous thin plate having material symmetry about its middle surface; one corresponds to inplane motion and the other to bending. Previous studies used a three node parabolic element to model the inplane motion of the plate. In the present work, the three node inplane element and a two node beam element were used to generate an element which models both the inplane and bending motions of a thin plate. The program was checked for accuracy against other approximate solutions as well as analytical solutions. The Rayleigh-Ritz approximation proved to be effective in calculating the wave dispersion characteristics (wavenumber and modeshapes for a given frequency) of thin-walled, infinitely long members as well as the characteristic frequencies of vibration of simply supported thin-walled structural members.

ACKNOWLEDGMENTS

Thanks

- to my brother, parents and grandparents who have helped me throughout my university education.

- to Colleen and Wayne Flather for making university life less difficult.

- to Jennifer Moore for making life more interesting.

- to Dr. A.H. Shah for serving as my advisor and for providing his experience, support and guidance.

- to Dr. N. Popplewell and Dr. J. Frye for serving as examiners.

- to Dr. W. Zhuang, Dr. J. Zhu and numerous others that have also helped in my studies.

Contents

Acknowledgments	ii
List of Tables	vi
List of Figures	viii
1 Introduction	1
1.1 Purpose	1
1.2 Scope	1
1.3 Overview of the Present Study	2
1.4 Organization of the Thesis	3
2 Stiffness Method - Two-Dimensional Analysis	4
2.1 Introduction	4
2.2 Formulation	5
2.3 Eigenvalue Problem	16
2.4 Summary	18

3	Stiffness Method - Three-Dimensional Analysis	19
3.1	Introduction	19
3.2	Formulation	19
3.3	Eigenvalue Problem	25
3.4	Summary	26
4	Analytical Methods	27
4.1	Introduction	27
4.2	Analytical Method for Inplane Problem	27
4.2.1	Governing equations	28
4.2.2	Dispersion Relations	29
4.2.3	Solution	30
4.3	Analytical Method for Bending	32
4.3.1	General	32
4.3.2	Description of the problem	32
4.3.3	Governing equations	32
4.3.4	Solution	34
4.4	Summary	34
5	Numerical Results	35
5.1	Introduction	35
5.2	Wave Propagation Problem	35
5.3	The Vibration of Structural Members Simply Supported at Their Ends	40

5.4	Free Transverse Vibration of Rectangular Plates Simply Supported on Four Edges	47
5.5	Numerical Difficulties at High Frequencies	49
5.6	Summary	49
6	Conclusions	50
6.1	Concluding Remarks	50
6.2	Future Work	50
	References	52
A	Matrices of the 2D Wave Propagation Problem	54
B	2D RR Vibration of Simply Supported Members	60
B.1	Introduction	60
B.2	Formulation	60
B.3	Eigenvalue Problem	63
B.4	Summary	64
C	Matrices for 2D RR Vibration Problem	65
D	3D RR Vibration of Simply Supported Members	72
D.1	Introduction	72
D.2	Formulation	72
D.3	Eigenvalue Problem	75
D.4	Summary	75

List of Tables

5.1	A comparison of the two-dimensional stiffness approximation and in-plane analytical method for calculating circular frequencies of wave propagation, rad/s , in a plate.	36
5.2	A comparison of the two-dimensional stiffness approximation and bending analytical method for calculating circular frequencies of wave propagation, rad/s , in a plate.	37
5.3	A comparison of the 2D stiffness approximation and 3D stiffness approximation for calculating circular frequencies of wave propagation, rad/s , in a plate.	38
5.4	A comparison of the 2D stress stiffness approximation, 3D stiffness approximation and analytical solution by showing computed circular frequencies of wave propagation, $\omega rad/s$, in a cylinder.	40
5.5	The circular frequencies of vibration, rad/s , for a simply supported plate calculated using two-dimensional stiffness method.	42
5.6	The free longitudinal circular frequencies of vibration, rad/s , of a simply supported plate calculated using the simplified solution.	43

5.7	The free, out of plane, transverse circular frequencies of vibration, rad/s , of a simply supported plate calculated using the simplified solution.	43
5.8	The free inplane transverse circular frequencies of vibration, rad/s , of a simply supported plate calculated using the simplified solution. . .	43
5.9	A comparison of the 2D stiffness approximation, 3D stiffness approximation and analytical solution by showing computed circular frequencies of free vibration in the X-Z plane of an I shaped member, simply supported at its ends.	45
5.10	A comparison of the 2D stiffness approximation, 3D stiffness approximation and analytical solution by showing computed circular frequencies of free vibration in the X-Y plane of an I shaped member, simply supported at its ends.	45
5.11	The free, out of plane, transverse circular frequencies of vibration, rad/s , of a rectangular plate, simply supported along all four edges, calculated using the simplified solution.	48
5.12	The circular frequencies of vibration, rad/s , of a plate, simply supported along all four edges, calculated using the two-dimensional stiffness method.	48

List of Figures

2.1	The geometry of a plate in the local coordinate system.	5
2.2	The inplane and bending elements.	6
2.3	Sign conventions for inplane forces.	7
2.4	Sign convention for bending moments and shear forces.	11
2.5	The geometry of a single element in the global coordinate system. . .	15
4.1	The geometry of a plate in the local coordinate system.	28
4.2	The geometry of a plate.	33
5.1	The geometry of the I shaped section in the global coordinate system.	44
5.2	A sketch of the mode shape corresponding to ω_{1yy}	46
5.3	A sketch of the mode shape corresponding to ω_{1zz}	46

Chapter 1

Introduction

1.1 Purpose

The purpose of this study is to create a multi-purpose computer program that models vibration and wave propagation in thin-walled structural members using a plane stress, Rayleigh-Ritz stiffness approximation.

1.2 Scope

A computer program is developed in this study which is used to investigate wave propagation in infinitely long members as well as the free vibration of simply supported beams. The study will include a description of the Rayleigh-Ritz approximation using two-dimensional theory. As well, exact analytical solutions and a Rayleigh-Ritz approximation based on three-dimensional theory will also be developed for the purpose of verifying the numerical results of the two-dimensional Rayleigh-Ritz approximation.

1.3 Overview of the Present Study

Guided ultrasonic waves have been considered recently for use in the nondestructive testing of materials to detect and characterize flaws that are created during the process of fabrication and flaws that develop throughout the service life of the product. To evaluate the effectiveness of any ultrasonic nondestructive evaluation method it is important to understand the behaviour of the propagating waves as they travel through a member in order. One section of this study focuses on the analysis of guided waves in thin-walled structural members. Specifically, it studies the wave dispersion characteristics (wavenumber and modeshapes for a given frequency) of the member. This information is necessary for the quantitative nondestructive evaluation of the member. The inspiration for this study came from successes in modeling the wave propagation in plates of infinite length and width using a Rayleigh-Ritz approximation for plane strain analysis [1]-[6]. Although the plane strain stiffness approximation does reasonably model the behaviour of an infinitely long and wide plate it was recognized that the majority of structural members in use today cannot be regarded as being both infinitely long and wide. The majority of structural members, such as I-shapes or C-shapes, fall into a group that can be thought of as an assemblage of thin plates. In this study a two-dimensional Rayleigh-Ritz approximation will be used to calculate the wave dispersion characteristics of thin-walled structural members assuming that plane stress conditions are satisfied.

Also included in this report is a new look at calculating the characteristic frequencies of vibration of members that are simply supported at two ends. Previous methods of calculating the characteristic frequencies of vibration of simply supported members have assumed that the cross-section geometry of the section remains constant throughout each cycle of vibration. The Rayleigh-Ritz method described in this report accounts for the distortion of the cross-sectional geometry during vibration.

1.4 Organization of the Thesis

Chapter 2 consists of the formulation of the two-dimensional Rayleigh-Ritz stiffness approximation for wave propagation in thin-walled structural members. This approximation is an extension of the plane strain stiffness approximation that was described earlier in the Chapter. The next chapter, Chapter 3, formulates the same wave propagation problem using three-dimensional theory instead of two-dimensional theory. This formulation has appeared in previous papers by Dong and Kazic [7] and it will be used to check the accuracy of the two-dimensional Rayleigh-Ritz stiffness approximation formulated in Chapter 2. In Chapter 4, the formulation of the exact analytical solution for both the inplane and bending motions of a thin-walled structural member is presented. The theory for the analytical solution of the inplane wave propagation problem was created by modifying the plane strain solution presented by Karu [8] and Zhu [9]. Chapter 5 includes all the numerical results needed to verify the accuracy of the plane stress stiffness approximation. Finally, Chapter 6 will conclude with the findings as well as suggest future work that can be done using the theory and programs resulting from this study.

Chapter 2

Stiffness Method -

Two-Dimensional Analysis

2.1 Introduction

Many structural members can be thought of as an assemblage of thin plates. For example an I shaped cross-section can be made from three or five thin plates and an angle can be thought of as two thin plates whose sides are attached at an angle, and so on. Thus, to model these types of structural members using the finite element methodology we must first create an element that closely models a thin plate. There are two uncoupled motions of a homogeneous thin plate having material symmetry about its middle surface; inplane and bending. In this chapter a stiffness method, wherein the displacements are approximated by the interpolation of discrete nodal (interface) values, is presented in order to study the wave propagation in structural members of infinite length in the longitudinal direction. Previous studies have used a three node parabolic element to model the inplane motion of the plane strain problem and has been proven to be reliable when compared to analytical solutions [1]-[6]. In

the present work, the three node inplane element and a two node bending element are assembled to generate an element that models both the inplane and bending motions of a thin plate.

2.2 Formulation

Figure 2.1 shows the geometry of a thin plate in the local x, y, z coordinate system. This is the thin plate from which the element stiffness equations will be derived using standard finite element methodology. The plate has infinite length or a simply supported length, a , in the local x direction, a height, L , in the local y direction and a thickness, h , in the local z direction such that $h/L < 10$.

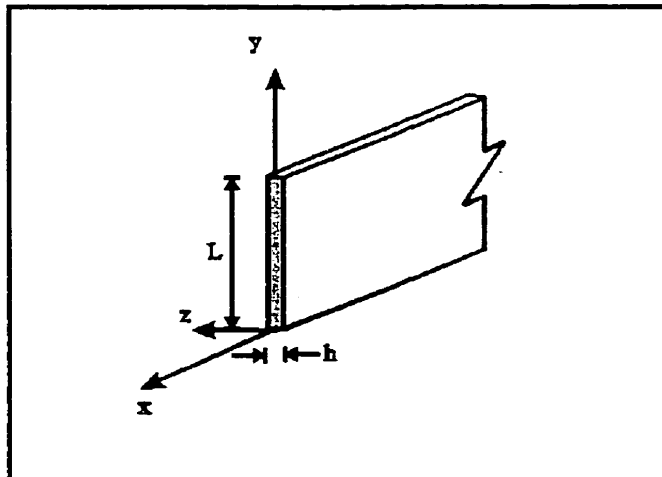


Figure 2.1: The geometry of a plate in the local coordinate system.

The three node inplane element and the two node bending elements are shown in Figure 2.2. In this formulation, the equations for the inplane element and the two beam elements are derived separately. The equations are then assembled to generate a three node element capable of representing inplane and bending motions.

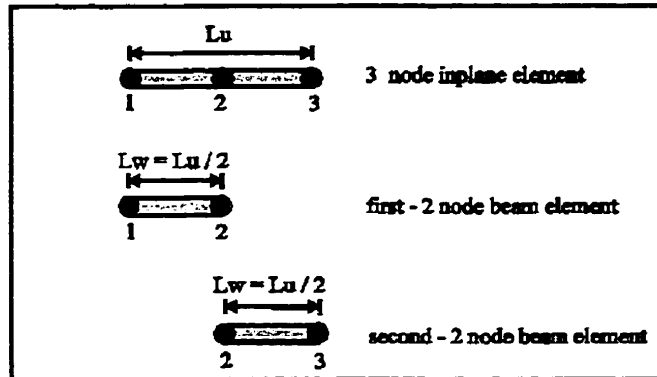


Figure 2.2: The inplane and bending elements.

For a straight plate the inplane and bending motions are uncoupled. However, when more than one plate is assembled to form common structural shapes the two motions become coupled.

The Rayleigh-Ritz stiffness approximation uses Hamilton's energy principle to generate the elemental equations:

$$\delta \int_{t_1}^{t_2} (T - \Pi) dt = 0 \quad (2.1)$$

where T and Π are the kinetic and potential energies in the body. The expression for the kinetic energy resulting from the inplane motions of an element is given by:

$$T = \frac{1}{2} \int \int \rho \{\dot{u}\}^T \{\dot{u}\} dy dx \quad (2.2)$$

where ρ is the mass density per unit of area, $\{u\}^T = \langle u \ v \rangle$ is a displacement array and a dot indicates differentiation with respect to time.

The potential energy, Π , for the inplane motion is given by:

$$\Pi = \frac{1}{2} \int \int \{\epsilon\}^T [D^u] \{\epsilon\} dy dx \quad (2.3)$$

where $\{\epsilon\}$ is an array of strain. In Equation 2.3, the work done by the boundary force, $\{F_u\}$, is omitted for convenience.

The strain-displacement relationships for each element are

$$\{\varepsilon\} = \begin{Bmatrix} \varepsilon_{xx} \\ \varepsilon_{yy} \\ \gamma_{xy} \end{Bmatrix} = \begin{Bmatrix} \frac{\partial u}{\partial x} \\ \frac{\partial v}{\partial y} \\ \frac{\partial v}{\partial x} + \frac{\partial u}{\partial y} \end{Bmatrix} \quad (2.4)$$

where u and v are the displacements in the x and y directions respectively. ε_{xx} , ε_{yy} and γ_{xy} are the inplane strains.

The stress-strain relationships are

$$\{N\} = [D^u] \{\varepsilon\}. \quad (2.5)$$

In Equation 2.5 the inplane forces are $\{N\} = \{N_{xx}, N_{yy}, N_{xy}\}^T$. The sign conventions for the inplane forces are shown in Figure 2.3.

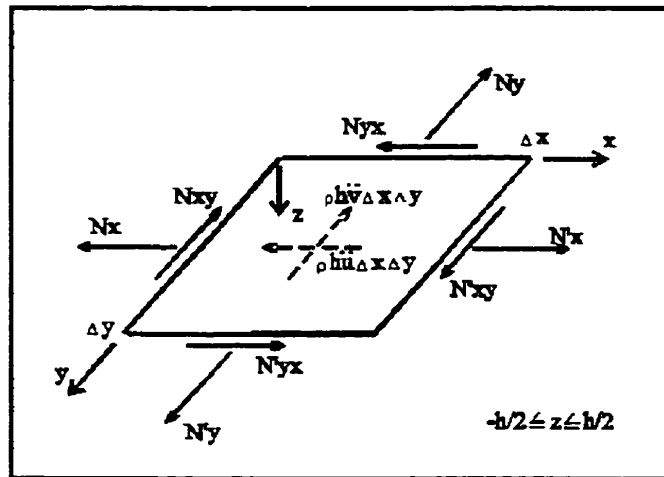


Figure 2.3: Sign conventions for inplane forces.

Here generalized plane stress conditions are assumed as

$$[D^u] = h \begin{bmatrix} D_{11} & D_{12} & 0 \\ D_{21} & D_{22} & 0 \\ 0 & 0 & D_{66} \end{bmatrix} \quad (2.6)$$

where $D_{11} = \frac{E_x}{1-\nu_{xy}\nu_{yx}}$, $D_{22} = \frac{E_y}{1-\nu_{xy}\nu_{yx}}$, $D_{12} = D_{21} = \frac{\nu_{xy}E_y}{1-\nu_{xy}\nu_{yx}}$, $D_{66} = \frac{E_x(1-\nu_{xy})}{2(1-\nu_{xy}\nu_{yx})}$. E_x and E_y are the modulus of elasticity in the x and y directions respectively, ν is defined as Poisson's ratio.

The nodal displacements are approximated as:

$$\{u\} = \begin{Bmatrix} u(x, y, t) \\ v(x, y, t) \end{Bmatrix} = [N^u(y)] \{q(x, t)\} = [N^u]\{q\} \quad (2.7)$$

for the inplane element, where

$$[N^u(y)] = \begin{bmatrix} N_1^u & 0 & 0 & 0 & N_2^u & 0 & 0 & 0 & N_3^u & 0 & 0 & 0 \\ 0 & N_1^u & 0 & 0 & 0 & N_2^u & 0 & 0 & 0 & N_3^u & 0 & 0 \end{bmatrix}$$

and

$$\{q(x, t)\} = \begin{Bmatrix} u_1(x, t) \\ v_1(x, t) \\ w_1(x, t) \\ \theta_1(x, t) \\ u_2(x, t) \\ v_2(x, t) \\ w_2(x, t) \\ \theta_2(x, t) \\ u_3(x, t) \\ v_3(x, t) \\ w_3(x, t) \\ \theta_3(x, t) \end{Bmatrix}$$

where u_i , v_i , w_i are the nodal displacements in the x, y, z direction and θ_i is the rotation about the z axis at node i.

Shape functions used for the inplane element are

$$N_1^u = \frac{1}{2}(\eta^2 - \eta), N_2^u = 1 - \eta^2, N_3^u = \frac{1}{2}(\eta^2 + \eta) \quad (2.8)$$

where $0 \leq y \leq L_u$ and $y = \frac{L_u}{2}\eta + \frac{L_u}{2}$.

The strains in Equation 2.4 can be written in terms of the shape functions $[N(y)]$ and displacement array $\{q(x, t)\}$. For the inplane element

$$\{\varepsilon\} = [A]\{q'\} + [B]\{q\} \quad (2.9)$$

where

$$[A] = \begin{bmatrix} N_1^u & 0 & 0 & 0 & N_2^u & 0 & 0 & 0 & N_3^u & 0 & 0 & 0 \\ 0 & 0 & 0 & 0 & 0 & 0 & 0 & 0 & 0 & 0 & 0 & 0 \\ 0 & N_1^u & 0 & 0 & 0 & N_2^u & 0 & 0 & 0 & N_3^u & 0 & 0 \end{bmatrix} \quad (2.10)$$

and

$$[B] = \begin{bmatrix} 0 & 0 & 0 & 0 & 0 & 0 & 0 & 0 & 0 & 0 & 0 & 0 \\ 0 & \frac{\partial N_1^u}{\partial y} & 0 & 0 & 0 & \frac{\partial N_2^u}{\partial y} & 0 & 0 & 0 & \frac{\partial N_3^u}{\partial y} & 0 & 0 \\ \frac{\partial N_1^u}{\partial y} & 0 & 0 & 0 & \frac{\partial N_2^u}{\partial y} & 0 & 0 & 0 & \frac{\partial N_3^u}{\partial y} & 0 & 0 & 0 \end{bmatrix}. \quad (2.11)$$

Substituting Equation 2.7 into the equation for kinetic energy, Equation 2.2, results in:

$$T = \frac{1}{2} \int \int \rho \{\dot{q}\}^T ([N^u]^T [N^u]) \{\dot{q}\} dy dx. \quad (2.12)$$

In a similar manner, substituting Equation 2.9 into the equation for potential energy, Equation 2.3, gives:

$$\begin{aligned} \Pi = & \frac{1}{2} \int \int [\{q\}^T ([A]^T [D^u] [A]) \{q\} + \{q\}^T ([A]^T [D^u] [B]) \{q\}' \\ & + \{q\}'^T ([B]^T [D^u] [A]) \{q\} + \{q\}'^T ([B]^T [D^u] [B]) \{q\}'] dy dx. \end{aligned} \quad (2.13)$$

Application of Hamilton's principle, Equation 2.1, gives:

$$[K_1] \{q''\} + [K_2] \{q'\} - [K_3] \{q\} - [M] \{\ddot{q}\} = 0 \quad (2.14)$$

where

$$[K_1] = \int \int [B]^T [D^u] [B] dy \quad (2.15)$$

$$[K_2] = \int \int ([B]^T [D^u] [A] - [A]^T [D^u] [B]) dy \quad (2.16)$$

$$[K_3] = \int \int [A]^T [D^u] [A] dy \quad (2.17)$$

$$[M] = \int \int \rho [N]^T [N] dy. \quad (2.18)$$

Note that $[K_1]$, $[K_3]$ and $[M]$ are symmetric while $[K_2]$ is antisymmetric. The elements of $[M]$, $[K_1]$, $[K_2]$, and $[K_3]$ of Equation 2.14 are defined in Appendix A. In Equation

2.14 the overdot and prime denote the differentiation with respect to time and x respectively.

The element equations for the two bending elements are created by employing a similar methodology. For the bending problem the kinetic energy is given by:

$$T = \frac{1}{2} \int \int \rho \dot{w}^2 dy dx \quad (2.19)$$

where ρ is the mass density per unit of area, w is a displacement in the z -direction and a dot again indicates differentiation with respect to time.

The potential energy for bending is given by:

$$\Pi = \int \int \frac{1}{2} \{k\}^T [D^w] \{k\} dy dx \quad (2.20)$$

where $\{k\}$ is an array of curvatures. The work done by the external forces, $\{F_w\}$, has been omitted for convenience.

The curvature-displacement relationship for the bending elements are

$$\{k\} = \begin{Bmatrix} k_{xx} \\ k_{yy} \\ k_{xy} \end{Bmatrix} = \begin{Bmatrix} -\frac{\partial^2 w}{\partial x^2} \\ -\frac{\partial^2 w}{\partial y^2} \\ -2\frac{\partial^2 w}{\partial x \partial y} \end{Bmatrix} \quad (2.21)$$

where w is the displacement in the z direction and k_{xx} , k_{yy} and k_{xy} are the curvatures.

The moment-curvature relationship is:

$$\{M\} = [D^w] \{k\}. \quad (2.22)$$

In Equations 2.22 the bending moments are $\{M\} = \{M_{xx}, M_{yy}, M_{xy}\}^T$. The sign conventions for the bending moments are shown in Figure 2.4. Here generalized plane stress conditions are assumed and, therefore, $[D^w] = \frac{h^2}{12} [D^u]$ where $[D^u]$ was defined earlier in Equation 2.6.

The nodal displacements are approximated as:

$$w_1(x, y, t) = [N^{w_1}(y)] \{q(x, t)\} \quad (2.23)$$

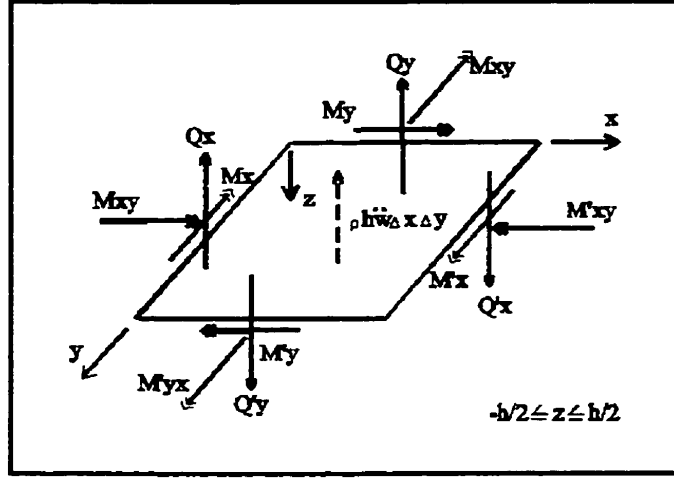


Figure 2.4: Sign convention for bending moments and shear forces.

for the first bending element, and

$$w_2(x, y, t) = [N^{w_2}(y)] \{q(x, t)\} \quad (2.24)$$

for the second bending element. $[N^{w_1}(y)]$ and $[N^{w_2}(y)]$ are matrices containing the shape functions defined below:

$$\begin{aligned} [N^{w_1}(y)] &= \begin{bmatrix} 0 & 0 & N_1^w & N_2^w & 0 & 0 & N_3^w & N_4^w & 0 & 0 & 0 & 0 \end{bmatrix} \\ [N^{w_2}(y)] &= \begin{bmatrix} 0 & 0 & 0 & 0 & 0 & 0 & N_1^w & N_2^w & 0 & 0 & N_3^w & N_4^w \end{bmatrix}. \end{aligned}$$

For both the bending elements, the shape functions are

$$\begin{aligned} N_1^w &= \frac{1}{4}(2 - 3\eta + \eta^3), \quad N_2^w = \frac{L_w}{8}(1 - \eta - \eta^2 + \eta^3), \\ N_3^w &= \frac{1}{4}(2 + 3\eta - \eta^3), \quad N_4^w = \frac{L_w}{8}(-1 - \eta + \eta^2 + \eta^3) \end{aligned} \quad (2.25)$$

where $0 \leq y \leq L_w$, $y = \frac{L_w}{2}\eta + \frac{L_w}{2}$ and $L_w = \frac{L_y}{2}$.

The curvatures in Equation 2.21 can be rewritten now in terms of the shape functions $[N(y)]$ and the displacement array $\{q(x, t)\}$. For each beam element

$$-\{k\} = [d_\alpha]\{q''\} + [b_\alpha]\{q'\} + [a_\alpha]\{q\} \quad (2.26)$$

where $\alpha = 1$ or 2. Thus for beam element one ($\alpha = 1$), matrices $[d_1]$, $[b_1]$ and $[a_1]$ are defined as:

$$[d_1] = \begin{bmatrix} 0 & 0 & N_1^w & N_2^w & 0 & 0 & N_3^w & N_4^w & 0 & 0 & 0 & 0 \\ 0 & 0 & 0 & 0 & 0 & 0 & 0 & 0 & 0 & 0 & 0 & 0 \\ 0 & 0 & 0 & 0 & 0 & 0 & 0 & 0 & 0 & 0 & 0 & 0 \end{bmatrix} \quad (2.27)$$

$$[b_1] = \begin{bmatrix} 0 & 0 & 0 & 0 & 0 & 0 & 0 & 0 & 0 & 0 & 0 & 0 \\ 0 & 0 & 0 & 0 & 0 & 0 & 0 & 0 & 0 & 0 & 0 & 0 \\ 0 & 0 & 2\frac{\partial N_1^w}{\partial y} & 2\frac{\partial N_2^w}{\partial y} & 0 & 0 & 2\frac{\partial N_3^w}{\partial y} & 2\frac{\partial N_4^w}{\partial y} & 0 & 0 & 0 & 0 \end{bmatrix} \quad (2.28)$$

$$[a_1] = \begin{bmatrix} 0 & 0 & 0 & 0 & 0 & 0 & 0 & 0 & 0 & 0 & 0 & 0 \\ 0 & 0 & \frac{\partial^2 N_1^w}{\partial y^2} & \frac{\partial^2 N_2^w}{\partial y^2} & 0 & 0 & \frac{\partial^2 N_3^w}{\partial y^2} & \frac{\partial^2 N_4^w}{\partial y^2} & 0 & 0 & 0 & 0 \\ 0 & 0 & 0 & 0 & 0 & 0 & 0 & 0 & 0 & 0 & 0 & 0 \end{bmatrix} \quad (2.29)$$

and, for beam element two ($\alpha = 2$), matrices $[d_2]$, $[b_2]$ and $[a_2]$ are defined as:

$$[d_2] = \begin{bmatrix} 0 & 0 & 0 & 0 & 0 & 0 & N_1^w & N_2^w & 0 & 0 & N_3^w & N_4^w \\ 0 & 0 & 0 & 0 & 0 & 0 & 0 & 0 & 0 & 0 & 0 & 0 \\ 0 & 0 & 0 & 0 & 0 & 0 & 0 & 0 & 0 & 0 & 0 & 0 \end{bmatrix} \quad (2.30)$$

$$[b_2] = \begin{bmatrix} 0 & 0 & 0 & 0 & 0 & 0 & 0 & 0 & 0 & 0 & 0 & 0 \\ 0 & 0 & 0 & 0 & 0 & 0 & 0 & 0 & 0 & 0 & 0 & 0 \\ 0 & 0 & 0 & 0 & 0 & 0 & 2\frac{\partial N_1^w}{\partial y} & 2\frac{\partial N_2^w}{\partial y} & 0 & 0 & 2\frac{\partial N_3^w}{\partial y} & 2\frac{\partial N_4^w}{\partial y} \end{bmatrix} \quad (2.31)$$

$$[a_2] = \begin{bmatrix} 0 & 0 & 0 & 0 & 0 & 0 & 0 & 0 & 0 & 0 & 0 & 0 \\ 0 & 0 & 0 & 0 & 0 & 0 & \frac{\partial^2 N_1^w}{\partial y^2} & \frac{\partial^2 N_2^w}{\partial y^2} & 0 & 0 & \frac{\partial^2 N_3^w}{\partial y^2} & \frac{\partial^2 N_4^w}{\partial y^2} \\ 0 & 0 & 0 & 0 & 0 & 0 & 0 & 0 & 0 & 0 & 0 & 0 \end{bmatrix} \quad (2.32)$$

where a prime denotes differentiation with respect to y .

Substituting Equations 2.23 and 2.24 into the equation for the kinetic energy, Equation 2.19, results in:

$$T = \frac{1}{2} \int \int \rho \{\dot{q}\}^T ([N^w]^T [N^w]) \{q\} dy dx. \quad (2.33)$$

In a similar manner, substituting Equation 2.26 into the equation for the potential energy, Equation 2.20, gives:

$$\begin{aligned}
 \Pi = & \frac{1}{2} \int \int \left[\{q''\}^T ([d_\alpha]^T [D^w] [d_\alpha]) \{q''\} + \{q''\}^T ([d_\alpha]^T [D^w] [b_\alpha]) \{q'\} \right. \\
 & + \{q''\}^T ([d_\alpha]^T [D^w] [a_\alpha]) \{q\} + \{q'\}^T ([b_\alpha]^T [D^w] [d_\alpha]) \{q''\} + \{q'\}^T ([b_\alpha]^T [D^w] [b_\alpha]) \{q\} \\
 & + \{q'\}^T ([b_\alpha]^T [D^w] [a_\alpha]) \{q\} + \{q\}^T ([a_\alpha]^T [D^w] [d_\alpha]) \{q''\} + \{q\}^T ([a_\alpha]^T [D^w] [b_\alpha]) \{q'\} \\
 & \left. + \{q\}^T ([a_\alpha]^T [D^w] [a_\alpha]) \{q\} \right] dy dx \quad (2.34)
 \end{aligned}$$

where $\alpha = 1$ or 2 .

The application of Hamilton's principle for the two beam elements, Equation 2.1, gives:

$$-[M_b^\alpha] \{\ddot{q}\} - [E_1^\alpha] \{q''''\} - [E_2^\alpha] \{q'''\} - [E_3^\alpha] \{q''\} - [E_4^\alpha] \{q'\} - [E_5^\alpha] \{q\} = \{0\} \quad (2.35)$$

where

$$[E_1^\alpha] = \int [d_\alpha]^T [D^w] [d_\alpha] dy \quad (2.36)$$

$$[E_2^\alpha] = \int ([d_\alpha]^T [D^w] [b_\alpha] - [b_\alpha]^T [D^w] [d_\alpha]) dy = [0] \quad (2.37)$$

$$[E_3^\alpha] = \int ([d_\alpha]^T [D^w] [a_\alpha] - [b_\alpha]^T [D^w] [b_\alpha] + [a_\alpha]^T [D^w] [d_\alpha]) dy \quad (2.38)$$

$$[E_4^\alpha] = \int ([a_\alpha]^T [D^w] [b_\alpha] - [b_\alpha]^T [D^w] [a_\alpha]) dy = [0] \quad (2.39)$$

$$[E_5^\alpha] = \int [a_\alpha]^T [D^w] [a_\alpha] dy \quad (2.40)$$

$$[M_b^\alpha] = \int \rho [N^{w\alpha}]^T [N^{w\alpha}] dy. \quad (2.41)$$

Note that the non-zero matrices, $[E_1^\alpha]$, $[E_3^\alpha]$, $[E_5^\alpha]$ and $[M_b^\alpha]$ are symmetric. In Equation 2.35 the overdot and prime denote differentiation with respect to time and x respectively.

For the two beam elements, the element equations become:

$$-[M_b^1] \{\ddot{q}\} - [E_1^1] \{q''''\} - [E_3^1] \{q'''\} - [E_5^1] \{q\} = \{0\} \quad (2.42)$$

and

$$-[M_b^2]\{\ddot{q}\} - [E_1^2]\{q''^v\} - [E_3^2]\{q''\} - [E_5^2]\{q\} = \{0\}. \quad (2.43)$$

Adding the equations for the two beam elements, Equations 2.42 and 2.43, results in the three node element equation

$$-[M_b]\{\ddot{q}\} - [E_1]\{q''^v\} - [E_3]\{q''\} - [E_5]\{q\} = \{0\} \quad (2.44)$$

where $[M_b] = [M_b^1] + [M_b^2]$, $[E_1] = [E_1^1] + [E_1^2]$, $[E_3] = [E_3^1] + [E_3^2]$ and $[E_5] = [E_5^1] + [E_5^2]$.

The elements of $[M_b]$, $[E_1]$, $[E_3]$ and $[E_5]$ of Equation 2.44 are defined in Appendix A.

For analyzing the propagation of a harmonic wave travelling in the x -direction, of a structural member of infinite length in the longitudinal direction, the displacement field can be described as

$$\{q\} = \{q(x, t)\} = \{Q_0\}e^{+i\omega t}e^{-\gamma x} \quad (2.45)$$

where γ is the wavenumber and ω is the circular frequency. The corresponding formulation for the vibration of a structural member simply supported in the x -direction ($x = 0, a$) is given in Appendix B, and the matrices appearing therein are presented in Appendix C.

Substituting Equation 2.45 into Equations 2.14 and 2.44, produces Equations 2.46 and 2.47 respectively;

$$[\gamma^2 K_1 - \gamma K_2 - K_3^*]\{Q_0\} = \{0\} \quad (2.46)$$

where $[K_3^*] = [K_3] - \omega^2 [M]$ as well as

$$[-\gamma^4 E_1 - \gamma^2 E_3 - E_5^*]\{Q_0\} = \{0\} \quad (2.47)$$

where $[E_5^*] = [E_5] - \omega^2 [M_b]$.

Adding Equations 2.46 and 2.47 results in the element equations, Equation 2.48, for a thin plate in the local x, y, z coordinate system

$$[\gamma^2 K_1 - \gamma K_2 - K_3^* - \gamma^4 E_1 - \gamma^2 E_3 - E_5^*] \{Q_0\} = \{0\}. \quad (2.48)$$

The next step is to transform the local element equations into the global coordinate system. The local y - z axes of the plate element, shown in Figure 2.5, make an angle θ with the global Y - Z axes.

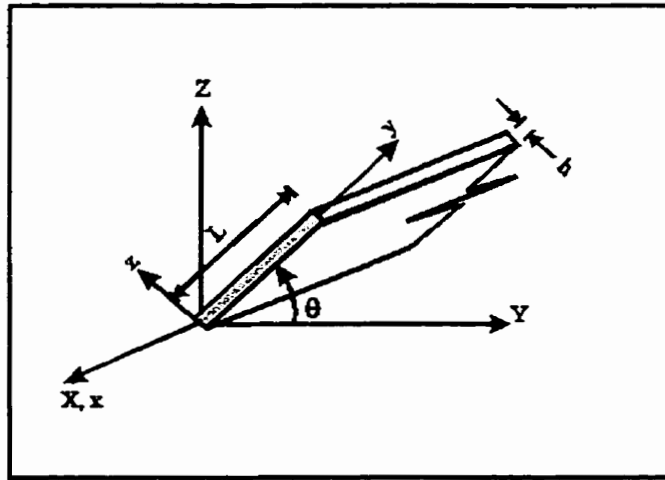


Figure 2.5: The geometry of a single element in the global coordinate system.

The transformation of the element equations from the local to the global coordinate system results in the global element equations, Equation 2.49, in the form $[K_g] \{Q_0^g\} = \{0\}$, i.e.

$$[T]^T [\gamma^2 K_1 - \gamma K_2 - K_3^* - \gamma^4 E_1 - \gamma^2 E_3 - E_5^*] [T] \{Q_0^g\} = \{0\} \quad (2.49)$$

The elements of $[T]$, in Equation 2.49 are:

$$[T] = \begin{bmatrix} 1 & 0 & 0 & 0 & 0 & 0 & 0 & 0 & 0 & 0 & 0 & 0 \\ 0 & C & S & 0 & 0 & 0 & 0 & 0 & 0 & 0 & 0 & 0 \\ 0 & -S & C & 0 & 0 & 0 & 0 & 0 & 0 & 0 & 0 & 0 \\ 0 & 0 & 0 & 1 & 0 & 0 & 0 & 0 & 0 & 0 & 0 & 0 \\ 0 & 0 & 0 & 0 & 1 & 0 & 0 & 0 & 0 & 0 & 0 & 0 \\ 0 & 0 & 0 & 0 & 0 & C & S & 0 & 0 & 0 & 0 & 0 \\ 0 & 0 & 0 & 0 & 0 & -S & C & 0 & 0 & 0 & 0 & 0 \\ 0 & 0 & 0 & 0 & 0 & 0 & 0 & 1 & 0 & 0 & 0 & 0 \\ 0 & 0 & 0 & 0 & 0 & 0 & 0 & 0 & 1 & 0 & 0 & 0 \\ 0 & 0 & 0 & 0 & 0 & 0 & 0 & 0 & 0 & C & S & 0 \\ 0 & 0 & 0 & 0 & 0 & 0 & 0 & 0 & 0 & -S & C & 0 \\ 0 & 0 & 0 & 0 & 0 & 0 & 0 & 0 & 0 & 0 & 0 & 1 \end{bmatrix} \quad (2.50)$$

where $S = \sin(\theta)$ and $C = \cos(\theta)$.

2.3 Eigenvalue Problem

The global element equations, Equation 2.49, are assembled to obtain the structure equations, Equation 2.51, in the form $[K]\{Q_0^E\} = \{0\}$, as

$$[\gamma^2 K_1 - \gamma K_2 - K_3^* - \gamma^4 E_1 - \gamma^2 E_3 - E_5^*]\{Q_0^E\} = \{0\} \quad (2.51)$$

By defining

$$\{Q_1^E\} = -\gamma\{Q_0^E\} \quad (2.52)$$

$$\{Q_2^E\} = -\gamma\{Q_1^E\} \quad (2.53)$$

$$\{Q_3^E\} = -\gamma\{Q_2^E\} \quad (2.54)$$

and substituting Equations 2.52, 2.53 and 2.54 into Equation 2.51 leads to the eigenvalue problem of the form

$$[A]\{Q^E\} = \gamma[B]\{Q^E\} \quad (2.55)$$

where

$$\{Q^g\} = \begin{Bmatrix} Q_0^g \\ Q_1^g \\ Q_2^g \\ Q_3^g \end{Bmatrix},$$

$$[A] = \begin{bmatrix} 0 & -I & 0 & 0 \\ 0 & 0 & -I & 0 \\ 0 & 0 & 0 & -I \\ -K_3^* - E_5^* & K_2 & -E_3 & 0 \end{bmatrix}$$

and

$$[B] = \begin{bmatrix} I & 0 & 0 & 0 \\ 0 & I & 0 & 0 \\ 0 & 0 & I & 0 \\ 0 & K_1 & 0 & -E_1 \end{bmatrix}.$$

Solution of the eigenvalue problem determines the wavenumbers, γ , and the corresponding modeshapes, $\{Q_0^g\}$, of a member for a given frequency, ω . For physical reasons frequency, ω , is real and positive. The roots for γ may be real, complex conjugate pairs or purely imaginary. Positive real roots do not propagate. Complex conjugate pairs with positive real parts and positive imaginary parts represent evanescent modes. These evanescent modes decay in the positive X direction. Purely positive imaginary roots define waves propagating in the positive X direction.

Alternatively, Equation 2.51 can be rearranged into the alternative eigenvalue problem, Equation 2.56, where frequencies, ω , are obtained for a given wavenumber, γ .

$$[\gamma^2 K_1 - \gamma K_2 - K_3 - \gamma^4 E_1 - \gamma^2 E_3 - E_5] \{Q_0^g\} = \omega^2 [-M - M_b] \{Q_0^g\} \quad (2.56)$$

2.4 Summary

The numerical accuracy of the Rayleigh-Ritz type approximation, Equations 2.55 and 2.56 will be discussed in detail in upcoming chapters. The two-dimensional Rayleigh-Ritz approximation will be compared to a similar three-dimensional Rayleigh-Ritz approximation and analytical solutions. These solutions will be presented later in this study.

Chapter 3

Stiffness Method - Three-Dimensional Analysis

3.1 Introduction

The three-dimensional Rayleigh-Ritz approximation is used to study wave propagation in structural members which are infinite in the longitudinal direction or simply supported at their ends. The three-dimensional analysis presented here will be used later in the study to check the two-dimensional approximation presented earlier.

3.2 Formulation

The formulation used for the three-dimensional analysis is similar to that encountered earlier with the plane stress assumption. The Rayleigh-Ritz approximation used in this approach is based on Hamilton's energy principle,

$$\delta \int_{t_1}^{t_2} (T - \Pi) dt = 0 \quad (3.1)$$

where T and Π are the kinetic and potential energies of the body.

The kinetic energy is given by:

$$T = \frac{1}{2} \int \int \int \rho \{\dot{u}\}^T \{\dot{u}\} dydzdx \quad (3.2)$$

where ρ is the mass density per unit of volume, $\{u\}$ is a displacement array and a dot indicates differentiation with respect to time. The displacement array $\{u\}$ is given by:

$$\{u\}^T = \left[u(x, y, z, t) \quad v(x, y, z, t) \quad w(x, y, z, t) \right]. \quad (3.3)$$

The potential energy Π is given by

$$\Pi = \frac{1}{2} \int \int \int \{\varepsilon\}^T [C] \{\varepsilon\} dydzdx \quad (3.4)$$

where the work done by the external forces, $\{F\}$, has been omitted for convenience and $\{\varepsilon\}$ is an array of strains whose components are

$$\{\varepsilon\}^T = \left[\varepsilon_{xx} \quad \varepsilon_{yy} \quad \varepsilon_{zz} \quad \gamma_{yz} \quad \gamma_{xz} \quad \gamma_{xy} \right] \quad (3.5)$$

A linear strain-displacement relationship is used. Thus the strains can be written as

$$\{\varepsilon\} = \begin{Bmatrix} \varepsilon_{xx} \\ \varepsilon_{yy} \\ \varepsilon_{zz} \\ \gamma_{yz} \\ \gamma_{xz} \\ \gamma_{xy} \end{Bmatrix} = \begin{Bmatrix} \frac{\partial u}{\partial x} \\ \frac{\partial v}{\partial y} \\ \frac{\partial w}{\partial z} \\ \frac{\partial v}{\partial z} + \frac{\partial w}{\partial y} \\ \frac{\partial u}{\partial z} + \frac{\partial w}{\partial x} \\ \frac{\partial u}{\partial y} + \frac{\partial v}{\partial x} \end{Bmatrix} \quad (3.6)$$

where u, v and w are the displacements in the x, y and z directions, respectively. Equation 3.6 can be rewritten, in anticipation of the form required for the solution

of the problem, as:

$$\{\varepsilon\} = \begin{Bmatrix} \varepsilon_{xx} \\ \varepsilon_{yy} \\ \varepsilon_{zz} \\ \gamma_{yz} \\ \gamma_{xz} \\ \gamma_{xy} \end{Bmatrix} = \begin{bmatrix} 0 & 0 & 0 \\ 0 & \frac{\partial}{\partial y} & 0 \\ 0 & 0 & \frac{\partial}{\partial z} \\ 0 & \frac{\partial}{\partial z} & \frac{\partial}{\partial y} \\ \frac{\partial}{\partial z} & 0 & 0 \\ \frac{\partial}{\partial y} & 0 & 0 \end{bmatrix} \{u\} + \begin{bmatrix} \frac{\partial}{\partial x} & 0 & 0 \\ 0 & 0 & 0 \\ 0 & 0 & 0 \\ 0 & 0 & 0 \\ 0 & 0 & \frac{\partial}{\partial x} \\ 0 & \frac{\partial}{\partial x} & 0 \end{bmatrix} \{u\} \quad (3.7)$$

or, in abbreviated matrix form,

$$\{\varepsilon\} = [L_{yz}] \{u\} + [L_x] \{u\}. \quad (3.8)$$

The stress-strain relationship is

$$\{\sigma\} = [C] \{\varepsilon\} \quad (3.9)$$

In Equation 3.9 the stresses are $\{\sigma\} = \{\sigma_{xx}, \sigma_{yy}, \sigma_{zz}, \sigma_{yz}, \sigma_{xz}, \sigma_{xy}\}^T$. Here we assume three-dimensional relationship where matrix $[C]$ represents the elastic moduli of the material. The formulation of the problem assumes that the structure is completely anisotropic. Thus, there are twenty-one independent coefficients in matrix $[C]$, i.e.,

$$[C] = \begin{bmatrix} C_{11} & C_{12} & C_{13} & C_{14} & C_{15} & C_{16} \\ & C_{22} & C_{23} & C_{24} & C_{25} & C_{26} \\ & & C_{33} & C_{34} & C_{35} & C_{36} \\ & & & C_{44} & C_{45} & C_{46} \\ & & & & C_{55} & C_{56} \\ \text{Symm.} & & & & & C_{66} \end{bmatrix} \quad (3.10)$$

However, for the numerical results presented later it is assumed that the structures are homogeneous and isotropic. Thus, matrix $[C]$ reduces to:

$$[C] = \begin{bmatrix} C_{11} & C_{12} & C_{13} & 0 & 0 & 0 \\ & C_{22} & C_{23} & 0 & 0 & 0 \\ & & C_{33} & 0 & 0 & 0 \\ & & & C_{44} & 0 & 0 \\ & & & & C_{55} & 0 \\ \text{Symm.} & & & & & C_{66} \end{bmatrix} \quad (3.11)$$

where $C_{11} = C_{22} = C_{33} = \frac{E(1-\nu)}{(1+\nu)(1-2\nu)}$, $C_{12} = C_{13} = C_{23} = \frac{E\nu}{(1+\nu)(1-2\nu)}$, $C_{44} = C_{55} = C_{66} = \frac{E}{2(1+\nu)}$. E is the modulus of elasticity and ν is Poisson's ratio.

Isoparametric finite element methodology is followed in forming the element matrices. Three to nine variable-number-noded two-dimensional elements are used to model the shape of the cross-section. Since the numerical integration formulas as well as the direct stiffness assembly procedures are standard there is no need to discuss the details here [10].

The displacement field may be written as:

$$\begin{Bmatrix} u(x, y, z, t) \\ v(x, y, z, t) \\ w(x, y, z, t) \end{Bmatrix} = \begin{bmatrix} \sum N_i(y, z) \\ \sum N_i(y, z) \\ \sum N_i(y, z) \end{bmatrix} \begin{Bmatrix} U_i(z, t) \\ Y_i(z, t) \\ Z_i(z, t) \end{Bmatrix}. \quad (3.12)$$

Substituting

$$\{q_j\} = \begin{Bmatrix} U_j \\ V_j \\ W_j \end{Bmatrix} \quad (3.13)$$

where node j is an intermediate node into Equation 3.33 results in

$$\{u\} = \begin{bmatrix} N_1 & 0 & 0 & : & N_2 & 0 & 0 & : & & : & N_n & 0 & 0 \\ 0 & N_1 & 0 & : & 0 & N_2 & 0 & : & . & . & . & : & 0 & N_n & 0 \\ 0 & 0 & N_1 & : & 0 & 0 & N_2 & : & & : & 0 & 0 & N_n \end{bmatrix} \begin{Bmatrix} q_1 \\ q_2 \\ \vdots \\ q_n \end{Bmatrix} \quad (3.14)$$

or in abbreviated matrix form

$$\{u(x, y, z, t)\} = [N(y, z)]\{q(x, t)\} \quad (3.15)$$

or simply

$$\{u\} = [N]\{q\}. \quad (3.16)$$

Substituting Equation 3.16 into Equation 3.8, we obtain

$$\{\varepsilon\} = [L_{yz}][N]\{q\} + [L_x][N]\{q\} \quad (3.17)$$

which can be rewritten as,

$$\{\varepsilon\} = [A] \{q\} + [B] \{q'\} \quad (3.18)$$

where

$$[A] = \begin{bmatrix} 0 & 0 & 0 \\ 0 & N_{,y} & 0 \\ 0 & 0 & N_{,z} \\ 0 & N_{,z} & N_{,y} \\ N_{,z} & 0 & 0 \\ N_{,y} & 0 & 0 \end{bmatrix} \quad (3.19)$$

and

$$[B] = \begin{bmatrix} N & 0 & 0 \\ 0 & 0 & 0 \\ 0 & 0 & 0 \\ 0 & 0 & 0 \\ 0 & 0 & N \\ 0 & N & 0 \end{bmatrix}. \quad (3.20)$$

For the purpose of Gauss Quadrature, we consider $6 * 3$ submatrices, $[A_j]$ and $[B_j]$, of the $6 * 3n$ matrices $[A]$ and $[B]$. Matrix $[A] = [L_{yz}][N]$, can be rewritten as

$$[A] = \begin{bmatrix} 0 & 0 & 0 \\ 0 & \frac{\partial}{\partial y} & 0 \\ 0 & 0 & \frac{\partial}{\partial z} \\ 0 & \frac{\partial}{\partial z} & \frac{\partial}{\partial y} \\ \frac{\partial}{\partial z} & 0 & 0 \\ \frac{\partial}{\partial y} & 0 & 0 \end{bmatrix} \begin{bmatrix} N_1 & 0 & 0 & : & N_2 & 0 & 0 & : & & : & N_n & 0 & 0 \\ 0 & N_1 & 0 & : & 0 & N_2 & 0 & : & . & . & . & : & 0 & N_n & 0 \\ 0 & 0 & N_1 & : & 0 & 0 & N_2 & : & & & & : & 0 & 0 & N_n \end{bmatrix} \quad (3.21)$$

which can also be written as

$$[A] = [[A_1] \mid [A_2] \mid \dots \mid [A_j] \mid \dots \mid [A_n]]. \quad (3.22)$$

Where, for an arbitrary node j ,

$$[A_j] = \begin{bmatrix} 0 & 0 & 0 \\ 0 & N_{j,y} & 0 \\ 0 & 0 & N_{j,z} \\ 0 & N_{j,z} & N_{j,y} \\ N_{j,z} & 0 & 0 \\ N_{j,y} & 0 & 0 \end{bmatrix} \quad (3.23)$$

and similarly, for matrix $[B] = [L_x][N]$ can be rewritten as

$$[B_j] = \begin{bmatrix} N_j & 0 & 0 \\ 0 & 0 & 0 \\ 0 & 0 & 0 \\ 0 & 0 & 0 \\ 0 & 0 & N_j \\ 0 & N_j & 0 \end{bmatrix} = N_j \begin{bmatrix} 1 & 0 & 0 \\ 0 & 0 & 0 \\ 0 & 0 & 0 \\ 0 & 0 & 0 \\ 0 & 0 & 1 \\ 0 & 1 & 0 \end{bmatrix}. \quad (3.24)$$

Substituting Equation 3.16 into the expression for the kinetic energy, Equation 3.2, gives:

$$T = \frac{1}{2} \int \int \int \rho \{\dot{q}\}^T ([N]^T [N]) \{\dot{q}\} dydzdx. \quad (3.25)$$

In a similar manner, substituting Equation 3.18 into the equation for potential energy, Equation 3.4, gives:

$$\begin{aligned} \Pi = & \frac{1}{2} \int \int \int [\{q\}^T ([A]^T [C] [A]) \{q\} + \{q\}^T ([A]^T [C] [B]) \{q\}' \\ & + \{q\}'^T ([B]^T [C] [A]) \{q\} + \{q\}'^T ([B]^T [C] [B]) \{q\}'] dydzdx. \end{aligned} \quad (3.26)$$

Where the overdot and prime denote the differentiation with respect to time and x respectively.

Application of Hamilton's principle, Equation 3.1, gives:

$$[K_1]\{\ddot{q}\} + [K_2]\{\dot{q}'\} - [K_3]\{q\} - [M]\{\ddot{q}\} = 0 \quad (3.27)$$

where

$$[K_1] = \int \int [B]^T [C] [B] dydz \quad (3.28)$$

$$[K_2] = \int \int [B]^T [C] [A] - [A]^T [C] [B] dydz \quad (3.29)$$

$$[K_3] = \int \int [A]^T [C] [A] dydz \quad (3.30)$$

$$[M] = \int \int \rho [N]^T [N] dydz. \quad (3.31)$$

Note that $[K_1]$, $[K_3]$ and $[M]$ are symmetric while $[K_2]$ is skew-symmetric.

For analyzing the propagation of a harmonic wave travelling in the x -direction of a structural member having an infinite length in the longitudinal direction, the displacement field can be described as

$$\{q(x, t)\} = \{Q_0\} e^{+i\omega t} e^{-\gamma x} \quad (3.32)$$

where γ is the wavenumber and ω is the circular frequency. The corresponding formulation for the vibration of a structural member, simply supported in the x -direction, ($x = 0, a$) is presented in Appendix D.

Once the elements are assembled by substituting Equation 3.32 into Equation 3.27, one obtains Equation 3.33:

$$[\gamma^2 \mathbf{K}_1 - \gamma \mathbf{K}_2 - \mathbf{K}_3 + \omega^2 \mathbf{M}] \{\mathbf{Q}_0\} = \{0\}. \quad (3.33)$$

3.3 Eigenvalue Problem

By defining

$$\{\mathbf{Q}_1\} = -\gamma \{\mathbf{Q}_0\} \quad (3.34)$$

and substituting Equation 3.34 into Equation 3.33, leads to the eigenvalue problem

$[\mathbf{A}] \{\mathbf{Q}\} = \gamma [\mathbf{B}] \{\mathbf{Q}\}$ where

$$\{\mathbf{Q}\} = \begin{Bmatrix} \{\mathbf{Q}_0\} \\ \{\mathbf{Q}_1\} \end{Bmatrix},$$

$$[\mathbf{A}] = \begin{bmatrix} 0 & -\mathbf{I} \\ -\mathbf{K}_3 + \omega^2 \mathbf{M} & \mathbf{K}_2 \end{bmatrix}$$

and

$$[\mathbf{B}] = \begin{bmatrix} \mathbf{I} & 0 \\ 0 & \mathbf{K}_1 \end{bmatrix}.$$

The solution of the eigenvalue problem determines the wavenumber, γ , and corresponding modeshape, $\{\mathbf{Q}_0\}$, of a member for a given frequency, ω . The roots for γ may be real, complex conjugate pairs or purely imaginary. Positive real roots do not propagate. Complex conjugate pairs with positive real parts and positive imaginary parts represent evanescent modes. These evanescent modes decay in the positive X direction. Purely positive imaginary roots define waves propagating in the positive X direction.

Alternatively, Equation 3.33 can be arranged into the alternative eigenvalue problem, Equation 3.35, which has the form $[\mathbf{A}]\{\mathbf{Q}\} = \gamma[\mathbf{B}]\{\mathbf{Q}\}$. Frequencies, ω , are obtained for a given wavenumber, γ , from

$$[\gamma^2 \mathbf{K}_1 - \gamma \mathbf{K}_2 - \mathbf{K}_3]\{\mathbf{Q}_0\} = \omega^2 [-\mathbf{M}]\{\mathbf{Q}_0\}. \quad (3.35)$$

3.4 Summary

The numerical accuracy of the three-dimensional Rayleigh-Ritz type stiffness approximation, will be discussed in the upcoming chapters. The three-dimensional stiffness approximation will be compared to the two-dimensional Rayleigh-Ritz type stiffness approximation presented earlier and analytical solutions which are presented in the next Chapter.

Chapter 4

Analytical Methods

4.1 Introduction

In this chapter the elasticity solutions for inplane and bending problems are presented. The purpose of these formulations is strictly to check the validity of the Rayleigh-Ritz procedures, discussed in Chapters 2 and 3, for a thin plate. Thus, the equations derived here are only for the local coordinate system and they are not transformed into the global coordinate system. Moreover, it is not necessary to use the propagator matrices in the inplane problem but it is presented here with the understanding that it may be useful in the future for refining wavenumbers used in a scattering analysis.

4.2 Analytical Method for Inplane Problem

In the analytical formulation for the inplane problem, a modified propagator matrix approach is used to establish the frequency equation of the plate. The frequency equation of the plate is formulated in the form of a standard algebraic eigenvalue problem using elasticity equations.

Consider the plate shown in Figure 4.1. The plate has infinite length in the local x direction, a height, L , in the local y direction and a thickness, h , in the local z direction.

Plane stress conditions in the xy plane will be considered here.

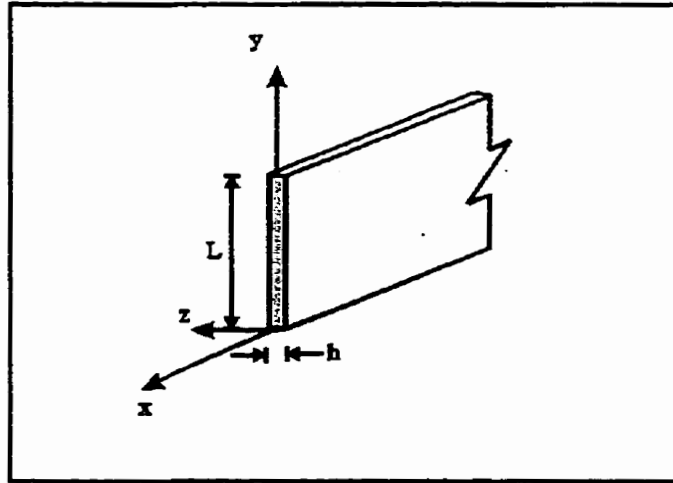


Figure 4.1: The geometry of a plate in the local coordinate system.

4.2.1 Governing equations

The strain-displacement relation for the plate is given by

$$\{\epsilon\} = \mathbf{L}\mathbf{u} \quad (4.1)$$

where

$$\mathbf{u}^T = \{u \ v\}. \quad (4.2)$$

The u and v are displacements in x and y directions, respectively, whilst

$$\mathbf{L}^T = \begin{bmatrix} \frac{\partial}{\partial x} & 0 & \frac{\partial}{\partial y} \\ 0 & \frac{\partial}{\partial y} & \frac{\partial}{\partial x} \end{bmatrix} \quad (4.3)$$

and

$$\{\epsilon\}^T = \{\epsilon_{xx} \quad \epsilon_{yy} \quad 2\epsilon_{yx}\} \quad (4.4)$$

where ϵ_{ij} is the strain component. The force-strain relation is given by

$$\{N\} = [D^u]\{\epsilon\} \quad (4.5)$$

where the stress component is defined as

$$\{N\}^T = \{N_{xx} \quad N_{yy} \quad N_{yx}\}. \quad (4.6)$$

Generalized plane stress conditions are assumed. The constitutive matrix for the plate is:

$$[D^u] = h \begin{bmatrix} D_{11} & D_{12} & 0 \\ D_{21} & D_{22} & 0 \\ 0 & 0 & D_{66} \end{bmatrix} \quad (4.7)$$

where $D_{11} = \frac{E_x}{1-\nu_{xy}\nu_{yx}}$, $D_{22} = \frac{E_y}{1-\nu_{xy}\nu_{yx}}$, $D_{12} = D_{21} = \frac{\nu_{xy}E_y}{1-\nu_{xy}\nu_{yx}}$ and $D_{66} = \frac{E_x(1-\nu_{xy})}{2(1-\nu_{xy}\nu_{yx})}$. E_x and E_y are the modulus of elasticity in the x and y directions respectively. ν is defined as Poisson's ratio.

The equations of harmonic motion in the frequency domain can be expressed in terms of the displacements $u(x, y)$ and $v(x, y)$ as

$$\begin{aligned} D_{11}^u \frac{\partial^2 u}{\partial x^2} + D_{66}^u \frac{\partial^2 u}{\partial y^2} + (D_{12}^u + D_{66}^u) \frac{\partial^2 v}{\partial x \partial y} + b_x &= -\rho \omega^2 u \\ D_{22}^u \frac{\partial^2 v}{\partial x^2} + D_{66}^u \frac{\partial^2 v}{\partial y^2} + (D_{12}^u + D_{66}^u) \frac{\partial^2 u}{\partial x \partial y} + b_y &= -\rho \omega^2 v \end{aligned} \quad (4.8)$$

where b_x and b_y are body forces in x and y directions, respectively, ρ the mass density per unit volume, and ω the circular frequency.

4.2.2 Dispersion Relations

In this section, the analytical frequency equation is presented based on a modified propagator matrix approach.

4.2.3 Solution

The appropriate solution to the homogeneous equation, Equation 4.8, in the absence of body forces, is [8]-[9]:

$$\begin{aligned} u &= jk(\Omega_1^+ + b\Omega_2^+)e^{jkx}, \\ v &= (ar_1\Omega_1^- + r_2\Omega_2^-)e^{jkx} \end{aligned} \quad (4.9)$$

where $j = \sqrt{-1}$, and

$$\begin{aligned} \Omega_1^+ &= A_{11}\cos r_1y + A_{12}\sin r_1y, \\ \Omega_1^- &= A_{12}\cos r_1y - A_{11}\sin r_1y, \\ \Omega_2^+ &= A_{21}\cos r_2y + A_{22}\sin r_2y, \\ \Omega_2^- &= A_{22}\cos r_2y - A_{21}\sin r_2y \end{aligned} \quad (4.10)$$

$$\begin{aligned} a_1 &= (k_2^2 - \bar{\alpha}k^2 - r_1^2)/\bar{\delta}r_1^2, \\ b_1 &= (k_2^2 - k^2 - \bar{\beta}r_2^2)/\bar{\delta}k^2 \end{aligned} \quad (4.11)$$

$$\bar{\alpha} = \frac{D_{11}^u}{D_{66}^u}; \quad \bar{\beta} = \frac{D_{22}^u}{D_{66}^u}; \quad k_2 = \sqrt{\frac{\rho\omega^2}{D_{66}^u}}; \quad \bar{\delta} = 1 + \frac{D_{12}^u}{D_{66}^u} \quad (4.12)$$

Here r_1 and r_2 are the roots of the equation

$$\begin{vmatrix} r^2 + \bar{\alpha}k^2 - k_2^2 & \bar{\delta}r^2 \\ \bar{\delta}k^2 & k^2 - k_2^2 + \bar{\beta}r^2 \end{vmatrix} = 0 \quad (4.13)$$

A_{11}, A_{12}, A_{21} and A_{22} are arbitrary constants for the plate and k is the wavenumber. Stress and displacement components of the plate can be expressed in terms of these four unknown constants. By evaluating the stresses and displacements at $y = 0$ and $y = L$, and performing algebraic manipulations, the following relation can be found:

$$\mathbf{Q}_L = [P]\mathbf{Q}_0 \quad (4.14)$$

where

$$\mathbf{Q}_0^T = \langle u_0 \quad v_0 \quad \sigma_{yy_0} \quad \sigma_{yx_0} \rangle. \quad (4.15)$$

The vector \mathbf{Q}_0 , which is unknown initially, represents the displacement and stress components at $y = 0$. $[P]$ is the propagator matrix for the plate whose elements are given in Appendix E.

By denoting the elements of the 4 by 4 matrix $[P]$ as P_{mn} ($m, n = 1, 2, 3, 4$) and invoking the zero traction conditions at faces $y = 0$ and $y = L$, the following relationship can be obtained from Equation 4.14:

$$\begin{bmatrix} P_{31} & P_{32} \\ P_{41} & P_{42} \end{bmatrix} \begin{Bmatrix} u_1 \\ v_1 \end{Bmatrix} = \begin{Bmatrix} 0 \\ 0 \end{Bmatrix}. \quad (4.16)$$

Note that there is no external load acting on the plate. The dispersion equation (frequency equation) for the plate is obtained by setting the determinant of the coefficient matrix to zero i.e.

$$f(\omega, k) = \begin{vmatrix} P_{31} & P_{32} \\ P_{41} & P_{42} \end{vmatrix} = 0. \quad (4.17)$$

Let \mathbf{Q}_{0m} be M number of modes to be evaluated and k_m be the m th root of Equation 4.17. Traction free conditions at face $y = L$ and Equation 4.16 give the components of the m th eigenvector at face $y = 0$, as

$$\mathbf{Q}_{0m}^T = \langle 1, -P_{31}/P_{32}, 0, 0 \rangle. \quad (4.18)$$

Then, applying Equation 4.14 at successive interfaces, the m th modal eigenvector can be obtained as

$$\mathbf{Q}_m^T = \langle \mathbf{Q}_{0m}^T, \mathbf{Q}_{Lm}^T \rangle \quad (4.19)$$

where

$$\mathbf{Q}_{0m}^T = \langle u_{0m}, v_{0m}, \sigma_{yy_{0m}}, \sigma_{yx_{0m}} \rangle. \quad (4.20)$$

The u_{0m} , v_{0m} , $\sigma_{yy_{0m}}$ and $\sigma_{yx_{0m}}$ are components of the m th eigenvector determined at $y = 0$. It may be noted that \mathbf{Q}_m can be associated with propagating, non-propagating or evanescent modes corresponding to real, imaginary or complex k_m .

4.3 Analytical Method for Bending

4.3.1 General

A simplified analytical solution to the classical bending problem is used to determine the accuracy of the Rayleigh-Ritz approximation for pure bending. The frequency equation is presented explicitly for a plate that is simply supported on all edges.

4.3.2 Description of the problem

In the analytical solution of the bending problem, for the purpose of checking only, it is assumed that all four edges of the plate are simply supported. This situation is shown in Figure 4.2. The plate has length, a , in the $x(=X)$ direction, width, L , in the $y(=Y)$ direction, and thickness, h , in the $z(=Z)$ direction. To simplify the expressions used in the derivation, the plate is assumed to be orthotropic and homogeneous. Also, the plate is positioned so that the global X, Y, Z axes coincide with the local x, y, z axes.

4.3.3 Governing equations

The strain-displacement relation is given by

$$\{k\} = \begin{Bmatrix} k_{xx} \\ k_{yy} \\ k_{xy} \end{Bmatrix} = \begin{Bmatrix} -\frac{\partial^2 w}{\partial x^2} \\ -\frac{\partial^2 w}{\partial y^2} \\ -2\frac{\partial^2 w}{\partial x \partial y} \end{Bmatrix} \quad (4.21)$$

where w is the out-of-plane displacement (in the z direction) and k_{xx} , k_{yy} and k_{xy} are the curvatures.

The moment-curvature relation is

$$\{M\} = [D^w] \{\kappa\}. \quad (4.22)$$

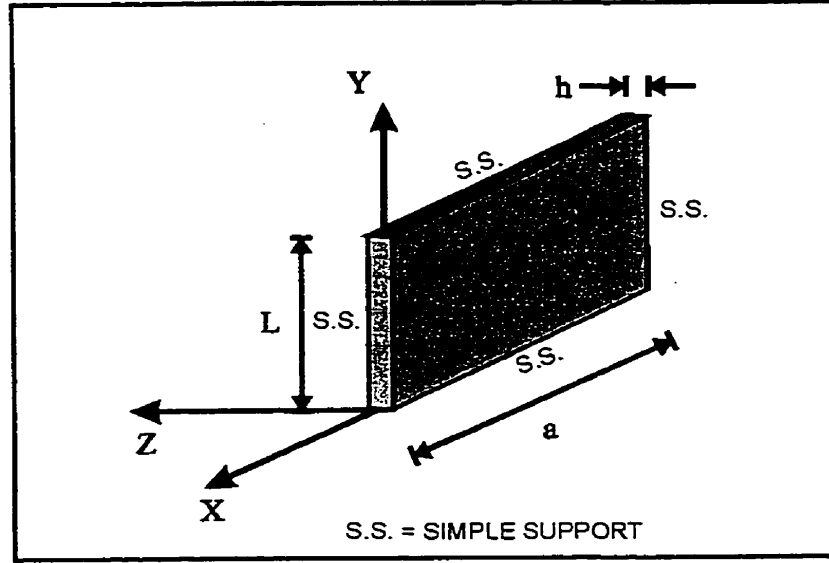


Figure 4.2: The geometry of a plate.

In Equation 4.22 the bending moments are $\{M\} = \{M_{xx}, M_{yy}, M_{xy}\}^T$. Here generalized plane stress conditions are assumed as

$$[D^w] = \frac{h^3}{12} \begin{bmatrix} D_{11} & D_{12} & 0 \\ D_{21} & D_{22} & 0 \\ 0 & 0 & D_{66} \end{bmatrix} \quad (4.23)$$

where $D_{11} = \frac{E_x}{1-\nu_{xy}\nu_{yx}}$, $D_{22} = \frac{E_y}{1-\nu_{xy}\nu_{yx}}$, $D_{12} = D_{21} = \frac{\nu_{xy}E_y}{1-\nu_{xy}\nu_{yx}}$, $D_{66} = \frac{E_x(1-\nu_{xy})}{2(1-\nu_{xy}\nu_{yx})}$.

The equations of harmonic motion in the frequency domain can be expressed in terms of $w(x, y, t)$ as

$$D_{11}^w \frac{\partial^4 w}{\partial x^4} + 2(D_{12}^w + 2D_{66}^w) \frac{\partial^4 w}{\partial x^2 \partial y^2} + D_{66}^w \frac{\partial^4 w}{\partial y^4} + b_z = -\rho h \frac{\partial^2 w}{\partial t^2} \quad (4.24)$$

where b_z is the net body force in the z direction and ρ is the mass density [11].

4.3.4 Solution

For free vibrations, b_z , is set to zero. Given the boundary conditions shown in Figure 4.2, the appropriate solution of Equation 4.24 is:

$$w(x, y, t) = \sum_m \sum_n A_{mn} \sin\left(\frac{m\pi x}{a}\right) \sin\left(\frac{n\pi y}{L}\right) e^{-i\omega t} \quad (4.25)$$

where

$$A_{mn} = \frac{\rho h}{D_{11}^w} \left[\left(\frac{m\pi}{a}\right)^4 + 2 \left(\frac{D_{12}^w + 2D_{66}^w}{D_{11}^w}\right) \left(\frac{m\pi}{a}\right)^2 \left(\frac{n\pi}{L}\right)^2 + \frac{D_{66}^w}{D_{11}^w} \left(\frac{n\pi}{L}\right)^4 \right]^{-1}. \quad (4.26)$$

The frequency, ω , is given by:

$$\omega = \sqrt{\frac{D_{11}^w}{\rho h} \left[\left(\frac{m\pi}{a}\right)^4 + 2 \left(\frac{D_{12}^w + 2D_{66}^w}{D_{11}^w}\right) \left(\frac{m\pi}{a}\right)^2 \left(\frac{n\pi}{L}\right)^2 + \frac{D_{66}^w}{D_{11}^w} \left(\frac{n\pi}{L}\right)^4 \right]^{\frac{1}{2}}}. \quad (4.27)$$

4.4 Summary

The analytical solutions presented in this chapter will be used later in the study to assess the accuracy of the two-dimension and three-dimension Rayleigh-Ritz approximations presented earlier.

Chapter 5

Numerical Results

5.1 Introduction

In this chapter the numerical accuracy of the Rayleigh-Ritz approximations will be discussed for wave propagation and free vibration problems.

5.2 Wave Propagation Problem

Two approximate stiffness methods were formulated in the previous chapters using the two-dimensional analysis for thin-walled structural members and a three-dimensional analysis. Two analytical solutions were also presented for the inplane motion and bending motion of a thin plate. In order to check the two-dimensional stiffness approximation's ability to model the behaviour of a cross-section comprised of thin plates, it must be proved that the stiffness approximation can be used to model the behaviour of a single thin plate. The two-dimension Rayleigh-Ritz approximation is based on the knowledge that, for a thin plate, the inplane motions and bending

motions are uncoupled. Thus, the first check of the two-dimensional stiffness approximation was made by comparing the results from the analytical solutions for the bending and inplane motions of a thin plate.

A thin plate was analyzed using the two-dimensional Rayleigh-Ritz approximation and the inplane analytical solution. The bending problem will be evaluated separately. The height of the plate is 10 cm, the thickness is 1 cm. It was assumed for simplicity that the plate was homogenous, isotropic and infinitely long in the longitudinal direction with $E = 2\frac{2}{3}\frac{kg}{s^2}$ and $\nu = \frac{1}{3}$. For a wavenumber, $\gamma = 0.00000 + 0.3141593i$, the analysis obtains the circular frequencies, ω rad/s shown in Table 5.1. 30 elements were used in the 2D Rayleigh-Ritz approximation.

	Two-Dimensional RR	Analytical Inplane
1	0.23928	0.23928
2	0.44425	0.44425
3	0.58395	0.58395
4	0.59352	0.59352
5	0.85868	0.85868

Table 5.1: A comparison of the two-dimensional stiffness approximation and inplane analytical method for calculating circular frequencies of wave propagation, rad/s, in a plate.

The two-dimensional approximation and the analytical inplane method give identical results for the wave propagation problem. For clarity the frequencies corresponding to modes of pure bending have been omitted.

Next, a thin plate was analyzed using the two-dimensional stiffness approximation and the analytical bending solution. To model the bending problem the two-dimensional stiffness approximation was changed, by eliminating the rows and columns in the structure equations associated with the displacement of the plate in

the z direction at nodes $y = 0$ and $y = L$. With these rows and columns eliminated the two-dimensional stiffness approximation models a plate simply supported at its edges $y = 0$ and $y = L$. The height of the plate is 6 cm, the thickness is 1 cm. It was assumed, for simplicity, that the plate was homogenous, isotropic and infinitely long in the longitudinal direction with a density $\gamma_1 g = 1 \frac{kg}{m^3}$, Young's Modulus is $1 \frac{kg \cdot m}{s^2}$ and Poisson's ratio, $\nu = 0$. For a wavenumber, $\gamma = 0.00000 + 0.10472i$, the analysis obtains the circular frequencies, ω rad/s shown in Table 5.2. 30 elements were used in the 2D Rayleigh-Ritz approximation.

	Two-Dimensional RR	Analytical Bending
1	0.0823076	0.082308
2	0.319733	0.319733
3	0.715443	0.715443
4	1.26944	1.269437
5	1.98172	1.981714

Table 5.2: A comparison of the two-dimensional stiffness approximation and bending analytical method for calculating circular frequencies of wave propagation, rad/s, in a plate.

The two-dimensional approximation and the analytical solution to the bending problem give near identical results for the wave propagation problem. For clarity the frequencies corresponding to the modes of inplane motion have been omitted.

Next, the two-dimensional stiffness approximation was compared to the three-dimensional stiffness approximation for the wave propagation problem. A thin plate was analyzed using both two-dimensional and three-dimensional stiffness approximations. The height of the plate is 10 cm, the thickness is 1 cm. It is assumed for simplicity that the plate is homogenous, isotropic and infinitely long in the longitudinal direction with $E = 2 \frac{2}{3} \frac{kg \cdot m}{s^2}$ and $\nu = \frac{1}{3}$. For a wavenumber, $\gamma = 0.00000 + 0.3141593i$,

the analysis obtains the circular frequencies, ω *rad/s* shown in Table 5.3. 30 elements were used in the 2D Rayleigh-Ritz approximation and 30 4-node elements were used in the 3D Rayleigh-Ritz approximation.

	Two Dimensional RR		Three Dimensional RR	
	$\theta = 0^\circ$	$\theta = 30^\circ$	$\theta = 0^\circ$	$\theta = 30^\circ$
1	0.04784	0.04784	0.05111	0.05111
2	0.07940	0.07940	0.07875	0.07875
3	0.18209	0.18209	0.18547	0.18547
4	0.23928	0.23928	0.23943	0.23943
5	0.37509	0.37509	0.37240	0.37240
6	0.44425	0.44425	0.44430	0.44430
7	0.58395	0.58395	0.58346	0.58346
8	0.59352	0.59352	0.59351	0.59351
9	0.66746	0.66746	0.62138	0.62138
10	0.85868	0.85868	0.85824	0.85824

Table 5.3: A comparison of the 2D stiffness approximation and 3D stiffness approximation for calculating circular frequencies of wave propagation, *rad/s*, in a plate.

In both cases the results of the stiffness approximations were nearly identical to the analytical solution. A comparison of the frequencies and corresponding mode shapes (not shown) calculated using the two-dimensional Rayleigh-Ritz approximation and the three-dimensional Rayleigh-Ritz approximation shows that, for a straight thin plate, the two-approximate methods are almost identical. As expected, the mode shapes from both models indicate that the frequencies can be divided into modes of pure inplane motion and bending motion. Notice that when the same plate is analyzed again when the plate is rotated at an angle, θ , from the global Y axis the frequencies of both approximate analyses do not change. The only change that occurs is that the directions of the mode shapes are rotated an angle, θ , from the global Y axis. This revelation is important because it proves that the motion of the plate is

independent of the angle θ , which is crucial when the plates are arranged to form various structural shapes.

The two-approximate stiffness methods that were formulated earlier were checked next against the analytical solution for the propagation of waves through a cylinder of infinite length. The formulation for the analytical solution of a cylinder will not be presented, only the numerical results will be presented. However, the theory has been presented by Zhuang [12].

The cylinder was analyzed using both the two-dimensional and the three-dimensional stiffness approximations as well as the analytical solution. The radius of the cylinder analyzed was assumed to be 10 cm and the thickness was 1 cm. It was assumed, for simplicity, that the cylinder was homogenous and isotropic, with $E = 2\frac{2}{3}\frac{kg}{s^2}$ and $\nu = \frac{1}{3}$. For a wave number, $\gamma = 0.00000 + 0.20000i$, the analysis obtains the circular frequencies, ω rad/s, shown in Table 5.4. 300 elements were used in the 2D Rayleigh-Ritz approximation and 60 9-node elements were used in the 3D Rayleigh-Ritz approximation.

A comparison of the lowest eleven frequencies and corresponding mode shapes (not shown) shows that the two approximate methods give nearly identical solutions. The slight variance between the two approximate solutions is most likely due to the use of three-dimensional curved elements to model the curved surface. In the two-dimensional solution a curved surface is modeled using straight elements. Thus, it comes as no surprise that the analytical solution is closer to the three-dimensional stiffness approximation than the two-dimensional stiffness approximation.

Please note that for each frequency that was calculated using the stiffness approximations there should be a corresponding frequency calculated when using the analytical solution. The remainder of the analytical frequencies could have been obtained through repeated solution of the analytical problem by increasing the number

	Two-Dimensional	Three-Dimensional	Analytical Solution
1	0.07325	0.07271	0.07250
2	0.08102	0.08096	0.08093
3	0.09617	0.09437	
4	0.11949	0.11941	0.11941
5	0.13780	0.13370	
6	0.16168	0.16131	0.16131
7	0.19183	0.18398	
8	0.20028	0.20000	0.20000
9	0.24192	0.24135	0.24135
10	0.25649	0.24305	
11	0.30050	0.29988	0.29986

Table 5.4: A comparison of the 2D stress stiffness approximation, 3D stiffness approximation and analytical solution by showing computed circular frequencies of wave propagation, ω *rad/s*, in a cylinder.

of circumferential waves used in each solution. However, for this report it was decided that further calculations were not necessary and only the results for the number of circumferential waves, $m = 0, 1, 2, 3$, have been presented.

5.3 The Vibration of Structural Members Simply Supported at Their Ends

The two stiffness methods can be used to calculate all of the modes of vibration of a simply supported structural member. In this thesis simplified solutions are used to check the numerical accuracy of the stiffness methods. However, only some of the modes of vibration have simplified solutions. In this context, simplified solutions are defined as the solution to the classical beam equation and the solution to

one-dimensional longitudinal vibration problems. The modes of vibration that have simplified solutions are free transverse vibration and free longitudinal vibration.

Free Transverse Vibration

The characteristic frequencies of free transverse vibration for a structural member, simply supported at its end, can be calculated using simple solutions.

The characteristic frequencies of a simply supported member are [11]

$$\hat{\omega}_n = \frac{n^2\pi^2}{a^2} \sqrt{\frac{EIg}{\gamma_1\Omega}} \quad (n=1,2, \dots) \quad (5.1)$$

where a is the distance between supports, I is the moment of inertia of the member, g is the acceleration of gravity, Ω is the cross-sectional area, γ_1 is the mass per unit volume of material and n is the number of half wavelengths in the mode of vibration being solved.

Free Longitudinal Vibration

If the two stiffness methods are used to calculate all the modes of free vibration, there should be a mode of free longitudinal vibration which occurs when both ends of the beam are free to move in the longitudinal direction. The characteristic frequencies of vibration of these modes can be calculated using simplified solutions. The simplified solution can be expressed as [11]

$$\hat{\omega}_n = \frac{n\pi}{a} \sqrt{\frac{Eg}{\gamma_1}} \quad (n = 0,1,2, \dots) \quad (5.2)$$

where, a is the distance between supports, g is the acceleration of gravity and γ_1 is the mass per unit volume of material.

In order to verify that the two-dimensional Rayleigh-Ritz approximation can model the free vibration of a thin-walled structural member which is simply supported at its ends, it must be shown that the approximation can model the free

vibration of a thin plate simply supported at its ends. Consider a plate whose height is 6 cm, thickness is 1 cm and its unsupported length is 30 cm. It is assumed, for convenience, that the plate has a density $1 \frac{kg}{m^3}$ and Young's Modulus is $1 \frac{kg \cdot m}{s^2}$. The first fifteen frequencies of vibration of the beam, calculated using the two-dimensional Rayleigh-Ritz approximation are shown in Table 5.5 in ascending order for the number of half wavelengths, $n=1,2,3,4,5$. The simplified solutions for free longitudinal vibration, free out of plane transverse vibration (x-z) and free inplane transverse vibration (x-y) are used to calculate the circular frequencies shown in Tables 5.6, 5.7 and 5.8. 30 elements were used in the 2D Rayleigh-Ritz approximation.

2D Rayleigh-Ritz Approximation					
	n=1	n=2	n=3	n=4	n=5
1	0.00316568	0.0126627	0.0284911	0.0506508	0.0791419
2	0.0178275	0.0506311	0.0783530	0.108978	0.143392
3	0.0248398	0.0637460	0.124134	0.191165	0.261092
4	0.104702	0.205733	0.235096	0.271913	0.314560
5	0.186291	0.209431	0.314153	0.418875	0.523592
6	0.389888	0.440453	0.508587	0.511651	0.523595
7	0.500106	0.513066	0.508797	0.578584	0.622075
8	0.520085	0.516525	0.543033	0.586022	0.668460
9	0.752563	0.785290	0.832226	0.888436	0.950795
10	0.974380	0.988941	1.01075	1.00534	1.00731
11	1.03785	1.02247	1.01291	1.04586	1.08728
12	1.12606	1.15939	1.20087	1.24768	1.29854
13	1.47724	1.46943	1.46242	1.45882	1.45992
14	1.57909	1.60049	1.63007	1.66514	1.70431
15	1.60713	1.62061	1.64293	1.67390	1.71326

Table 5.5: The circular frequencies of vibration, rad/s , for a simply supported plate calculated using two-dimensional stiffness method.

Comparing the values calculated using the two-dimensional Rayleigh-Ritz approx-

Free Longitudinal Vibration - Analytical				
n=1	n=2	n=3	n=4	n=5
0.1047198	0.2094395	0.3141593	0.4188790	0.5235988

Table 5.6: The free longitudinal circular frequencies of vibration, rad/s , of a simply supported plate calculated using the simplified solution.

Transverse Vibration - Out of Plane (x-z) - Analytical				
n=1	n=2	n=3	n=4	n=5
0.00316568	0.0126627	0.0284911	0.0506508	0.0791419

Table 5.7: The free, out of plane, transverse circular frequencies of vibration, rad/s , of a simply supported plate calculated using the simplified solution.

Transverse Vibration - In Plane (x-y)- Analytical				
n=1	n=2	n=3	n=4	n=5
0.0189941	0.0759763	0.1709466	0.3039051	0.4748517

Table 5.8: The free inplane transverse circular frequencies of vibration, rad/s , of a simply supported plate calculated using the simplified solution.

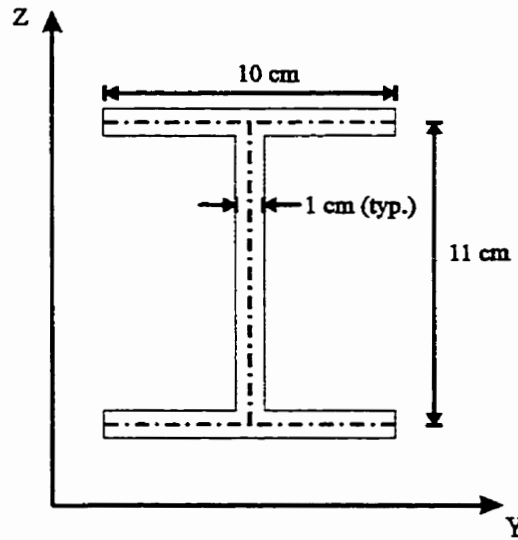


Figure 5.1: The geometry of the I shaped section in the global coordinate system.

imation and the corresponding simplified solutions reveals good agreement for both the free longitudinal and free out of plane, transverse modes of vibration. But, a comparison of the two-dimensional stiffness solution and the simplified solution for the free inplane transverse modes of vibration shows some disagreement. However, it is expected that the approximate solutions will not agree with the simplified solution. The approximate stiffness solutions both take into account the distortion of the cross-section geometry during vibration, whereas the simplified solution assumes that the geometry of the cross-section does not change. As a result, the approximate stiffness solution is more indicative of the true behaviour of the simply supported plate.

Next, the I-shaped member simply supported at its ends, which is shown in Figure 5.1, was analyzed using the two-dimensional stiffness approximation, the three-dimensional stiffness approximation and the corresponding simplified solutions for bending modes. It was assumed for simplicity that the section was homogenous and isotropic, with $E = 2\frac{2}{3}\frac{kg}{s^2}m$ and $\nu = \frac{1}{3}$. The frequencies of the first characteristic

mode of vibration in the X-Z plane and the X-Z plane of the member are shown in Tables 5.9 and 5.10. 30 elements were used in the 2D Rayleigh-Ritz approximation and 120 4-node elements were used in the 3D Rayleigh-Ritz approximation.

	Two-Dimensional	Three-Dimensional	Simplified Solution
$\hat{\omega}_{1yy}$ rad/s	0.10425	0.11338	0.08316

Table 5.9: A comparison of the 2D stiffness approximation, 3D stiffness approximation and analytical solution by showing computed circular frequencies of free vibration in the X-Z plane of an I shaped member, simply supported at its ends.

	Two-Dimensional	Three-Dimensional	Simplified Solution
$\hat{\omega}_{1zz}$ rad/s	0.03772	0.03872	0.04971

Table 5.10: A comparison of the 2D stiffness approximation, 3D stiffness approximation and analytical solution by showing computed circular frequencies of free vibration in the X-Y plane of an I shaped member, simply supported at its ends.

Again, the simplified solutions do not give good agreement with the two-dimensional stiffness approximation or the three-dimensional stiffness approximation. However, it is reiterated that the two-dimensional stiffness approximation and the three-dimensional stiffness approximation are a better model of the actual behaviour of the member. Both stiffness approximations allow for the distortion of the cross-section geometry during vibration whereas the simplified solution models the vibration of the member with the geometry of the section remaining unchanged. The distortion of the cross-section geometry during vibration is visible in the modeshapes, shown in Figures 5.2 and 5.3 which correspond to the aforementioned frequencies.

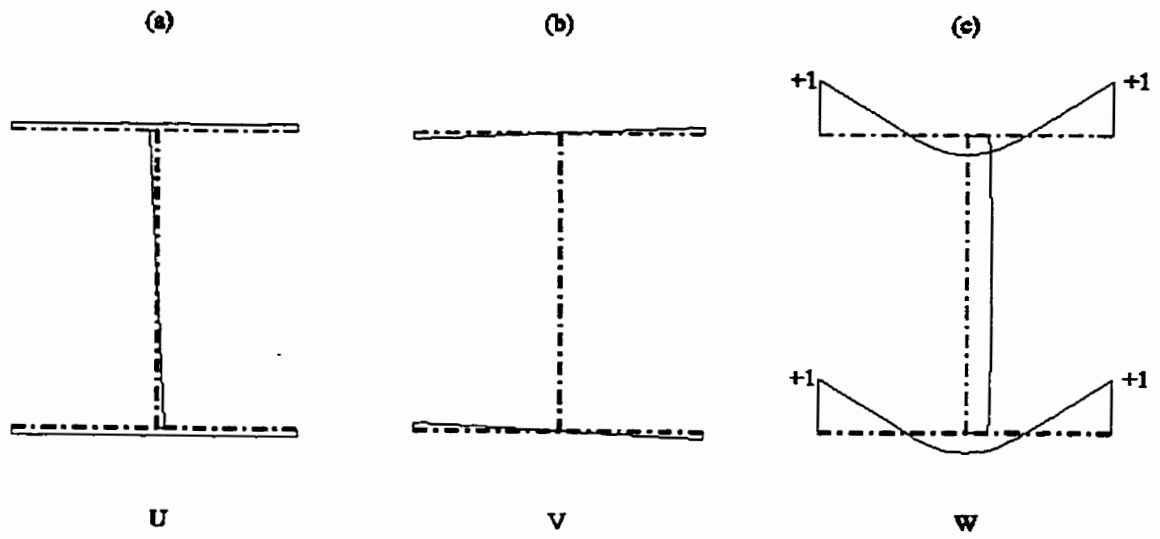


Figure 5.2: A sketch of the mode shape corresponding to ω_{1yy} .

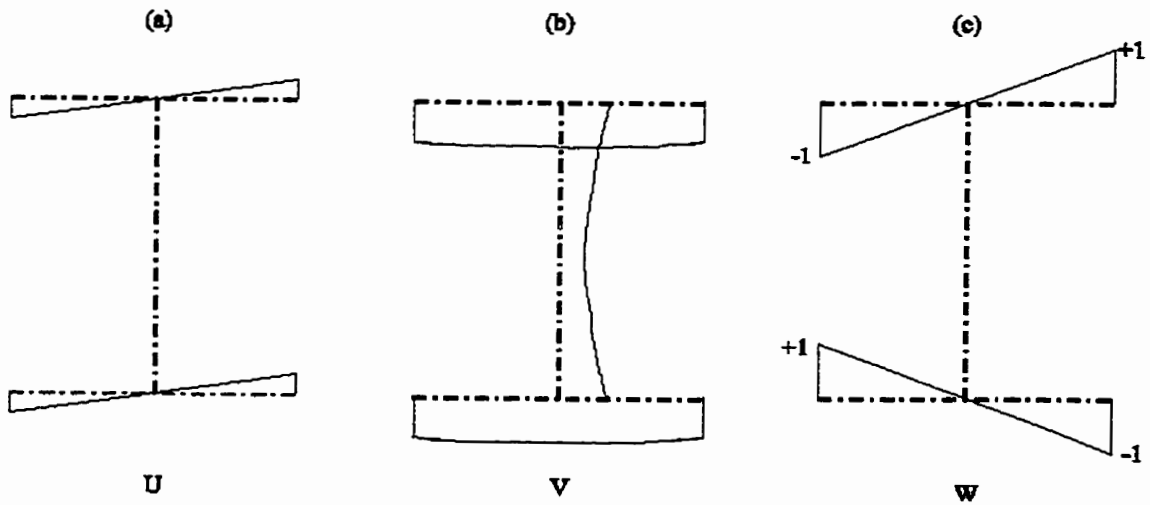


Figure 5.3: A sketch of the mode shape corresponding to ω_{1zz} .

5.4 Free Transverse Vibration of Rectangular Plates Simply Supported on Four Edges

In this section the two-dimensional stiffness approximation for the vibration of a plate, simply supported at its ends, is modified to model the vibration of a plate simply supported on all four edges. The stiffness approximation of a plate simply supported at its ends is made to model the vibration of a plate simply supported on all four of its edges by setting the displacement of the two edge nodes, $y = 0$ and $y = L$ to zero in the Y-direction.

The characteristic frequencies of vibration of a structural member simply supported along its edges can be derived using simple solutions. The characteristic frequencies for the transverse vibration of a plate simply supported along its edges are given by

$$\hat{\omega}_{mn} = \pi^2 \sqrt{\frac{EIg}{(1-\nu^2)\gamma_1 h}} \left(\frac{m^2}{L^2} + \frac{n^2}{a^2} \right) \quad (5.3)$$

where L is the width, a is the length, h is the thickness, $I = \frac{h^3}{12}$, is the moment of inertia of a unit width of cross section, g is the acceleration of gravity, ν is Poisson's ratio, E is Young's Modulus and γ_1 is the specific weight of the plate.

Consider a plate whose width is 6 cm, thickness is 1 cm and its unsupported length is 30 cm. It is assumed, for convenience, that the plate has a density $\gamma_1 g = 1 \frac{kg}{m^3}$, Young's Modulus is $1 \frac{kg \cdot m}{s^2}$ and Poisson's ratio, $\nu = 0$. The simplified solution, Equation 5.3, for the transverse vibration of a plate simply supported along its edges is used to calculate the characteristic frequencies shown in Table 5.11. The same problem using the two-dimensional approximation finds the frequencies of all possible modes of vibration including those of the free transverse plate vibration, free longitudinal vibration and inplane, transverse vibration of a simple plate. For simplicity, only the modes corresponding to free transverse plate vibration are shown in Table 5.12,

the remaining modes have already been presented. 30 elements were used in the 2D Rayleigh-Ritz approximation.

Free Transverse Vibration of a Simply-supported Plate - Analytical					
	n=1	n=2	n=3	n=4	n=5
m=1	0.082308	0.091805	0.107633	0.129793	0.158284
m=2	0.319733	0.329230	0.345059	0.367219	0.395710
m=3	0.715443	0.724940	0.740768	0.762928	0.791419
m=4	1.269437	1.278934	1.294762	1.316922	1.345413
m=5	1.981714	1.991211	2.007039	2.029199	2.057690

Table 5.11: The free, out of plane, transverse circular frequencies of vibration, rad/s , of a rectangular plate, simply supported along all four edges, calculated using the simplified solution.

Two-Dimensional Stiffness Approximation					
	n=1	n=2	n=3	n=4	n=5
m=1	0.0823076	0.0918046	0.107633	0.129793	0.158284
m=2	0.319733	0.329230	0.345059	0.367219	0.395710
m=3	0.715443	0.724940	0.740769	0.762928	0.791420
m=4	1.26944	1.27894	1.294762	1.31692	1.34541
m=5	1.98172	1.99122	2.00705	2.02921	2.05770

Table 5.12: The circular frequencies of vibration, rad/s , of a plate, simply supported along all four edges, calculated using the two-dimensional stiffness method.

From the values tabulated in Tables 5.11 and 5.12 it is easy to see that the two-dimensional stiffness approximation and the simplified solution agree quite closely with one another. The calculated frequencies of vibration are almost identical.

5.5 Numerical Difficulties at High Frequencies

As with any Rayleigh-Ritz stiffness approximation that requires the solution of an eigenvalue problem, the accuracy of the solution decreases as frequency increases, however by increasing the number of elements used in the solution the accuracy can be increased. But, increasing the number of elements also increases the size of the eigenvalue problem being solved. Thus, the computational time required to solve the larger problem increases significantly and so does the demand on the memory of the computer solving the problem. That being said, the stiffness approximation is still an efficient way to calculate wave dispersion characteristics.

5.6 Summary

In this chapter the two-dimensional stiffness approximation was proven to be effective in calculating the wave dispersion characteristics of thin-walled, infinitely long members as well as the characteristic frequencies of vibration of simply supported thin-walled structural members and simply supported thin plates. However, there are numerical difficulties when calculating the wave dispersion characteristics of very high frequencies using the Rayleigh-Ritz type stiffness approximations.

Chapter 6

Conclusions

6.1 Concluding Remarks

The purpose of this study was to create a multi-purpose program that can analyze thin-walled structural members using a two dimensional Rayleigh-Ritz stiffness approximation. The program that was created met all expectations, the numerical results prove that the program can be used to calculate the wave dispersion characteristics of the wave propagation problem and characteristic frequencies of vibration of simply supported members and plates simply supported along four edges with great accuracy. However, it should be noted that like any Rayleigh-Ritz approximation of this type numerical difficulties arise when solving the eigenvalue problem for high frequencies of vibration.

6.2 Future Work

The next step in developing a quantitative non-destructive evaluation method is to create a program to do a scattering analysis on thin-walled structural members using

the wave dispersion characteristics calculated using the methodology described in this report.

The versatility of the finite element method makes many different types of analysis possible. The list of possible future work on the vibration of beams could include changes in the support conditions and applying external forces to nodes to create forced vibration etc.. The static analysis of beams compensating for the deformation of the cross-section geometry under deflection is also a possibility, ie. when the body forces are not equal to zero but the frequency of "vibration" is zero.

REFERENCES

- [1] W.M. Karusena, A.H. Shah, and S.K. Datta, "Elastic Wave Propagation in Laminated Composite Plates" *Journal of Engineering Materials and Technology*, ASME, Vol. 113, 1991, pp 411-418.
- [2] W.M. Karusena, A.H. Shah, and S.K. Datta, "Wave Propagation in a Multi-Layered Laminated Cross-Ply Composite Plate." *Journal of Applied Mechanics*, ASME, Vol. 58, 1992, pp 1028-1032.
- [3] S.K. Datta, A.H. Shah, and W.M. Karusena, "Edge and Layering Effects in a Multi-Layered Composite Plate." *Computers and Structures*, Vol. 37, No. 2, 1990, pp 151-162.
- [4] W.M. Karusena, R.L. Bratton, A.H. Shah, and S.K. Datta, "Reflection of Plane Strain Waves at the Free Edge of a Laminated Composite Plate." *International Journal of Solids and Structures*, Vol. 27, No.8, 1991, pp 949-964.
- [5] E. Pan, J. Rogers, S.K. Datta and A.H. Shah, "Mode selection of guided waves for ultrasonic inspection of gas pipelines with thick coating." *Mechanics of Materials*, Vol. 31, 1999, pp 165-174.
- [6] J. Zhu and A.H. Shah, "Modal Representation of Transient Dynamics of Laminated Plate.", *Journal of Engineering Mechanics*, ASCE, Vol.121, 1995, pp 26-36

- [7] S.B. Dong and M. Kazic, "End Modes and Their Application to Wave Reflection Analysis", Dept. of Civil Eng., University of California, Los Angeles, California.
- [8] W.M. Karusena, "Elastic Waves in Laminated Composite Plates for Application in Ultrasonic Nondestructive Evaluation", Ph.D. Thesis, Dept. of Civil Eng., University of Manitoba, Winnipeg, Manitoba, Canada, 1992.
- [9] J. Zhu, "Numerical Modeling for Elastic Waves in Laminated Composite Plates", Ph.D. Thesis, Dept. of Civil Eng., University of Manitoba, Winnipeg, Manitoba, Canada, 1996.
- [10] Klaus-Jurgen Bathe, "Finite Element Procedures", Prentice Hall Publishers, 1996, pp.344.
- [11] Graff, Karl F. (1975), "Wave motion in elastic solids.", Ohio State University Press, pp. 233.
- [12] W. Zhuang, "Numerical Modeling for Elastodynamic Problems in Laminated Composite Cylinders", Ph.D. Thesis, Dept. of Civil Eng., University of Manitoba, Winnipeg, Manitoba, Canada, 1999.

Appendix A

Matrices of the 2D Wave Propagation Problem

The elements of $[M]$, $[K_1]$, $[K_2]$, $[K_3]$, $[M_b]$, $[E_1]$, $[E_3]$ and $[E_5]$ appearing in Equation 2.48 are:

$$[M] = \begin{bmatrix} M^{(1,1)} & 0 & 0 & 0 & M^{(1,5)} & 0 & 0 & 0 & M^{(1,9)} & 0 & 0 & 0 \\ & M^{(2,2)} & 0 & 0 & 0 & M^{(2,6)} & 0 & 0 & 0 & M^{(2,10)} & 0 & 0 \\ & & 0 & 0 & 0 & 0 & 0 & 0 & 0 & 0 & 0 & 0 \\ & & & 0 & 0 & 0 & 0 & 0 & 0 & 0 & 0 & 0 \\ & & & & M^{(5,5)} & 0 & 0 & 0 & M^{(5,9)} & 0 & 0 & 0 \\ & & & & & M^{(6,6)} & 0 & 0 & 0 & M^{(6,10)} & 0 & 0 \\ & & & & & & 0 & 0 & 0 & 0 & 0 & 0 \\ & & & & & & & 0 & 0 & 0 & 0 & 0 \\ & & & & & & & & M^{(9,9)} & 0 & 0 & 0 \\ & & & & & & & & & M^{(10,10)} & 0 & 0 \\ & & & & & & & & & & 0 & 0 \\ & & & & & & & & & & & 0 \\ \text{Symm.} & & & & & & & & & & & 0 \end{bmatrix}$$

where

$$\begin{aligned} M^{(1,1)} &= \frac{2}{15}\rho L_u, & M^{(2,2)} &= \frac{2}{15}\rho L_u, & M^{(1,5)} &= \frac{1}{15}\rho L_u, \\ M^{(2,6)} &= \frac{1}{15}\rho L_u, & M^{(5,5)} &= \frac{8}{15}\rho L_u, & M^{(6,6)} &= \frac{8}{15}\rho L_u, \\ M^{(1,9)} &= -\frac{1}{30}\rho L_u, & M^{(2,10)} &= -\frac{1}{30}\rho L_u, & M^{(5,9)} &= \frac{1}{15}\rho L_u, \\ M^{(6,10)} &= \frac{1}{15}\rho L_u, & M^{(9,9)} &= \frac{2}{15}\rho L_u, & M^{(10,10)} &= \frac{2}{15}\rho L_u. \end{aligned}$$

$$[K_1] = \begin{bmatrix}
 K_1^{(1,1)} & 0 & 0 & 0 & K_1^{(1,5)} & 0 & 0 & 0 & K_1^{(1,9)} & 0 & 0 & 0 \\
 & K_1^{(2,2)} & 0 & 0 & 0 & K_1^{(2,6)} & 0 & 0 & 0 & K_1^{(2,10)} & 0 & 0 \\
 & & 0 & 0 & 0 & 0 & 0 & 0 & 0 & 0 & 0 & 0 \\
 & & & 0 & 0 & 0 & 0 & 0 & 0 & 0 & 0 & 0 \\
 & & & & K_1^{(5,5)} & 0 & 0 & 0 & K_1^{(5,9)} & 0 & 0 & 0 \\
 & & & & & K_1^{(6,6)} & 0 & 0 & 0 & K_1^{(6,10)} & 0 & 0 \\
 & & & & & & 0 & 0 & 0 & 0 & 0 & 0 \\
 & & & & & & & 0 & 0 & 0 & 0 & 0 \\
 & & & & & & & & K_1^{(9,9)} & 0 & 0 & 0 \\
 & & & & & & & & & K_1^{(10,10)} & 0 & 0 \\
 & & & & & & & & & & 0 & 0 \\
 & & & & & & & & & & & 0 \\
 \text{Symm.} & & & & & & & & & & & 0
 \end{bmatrix}$$

where

$$\begin{aligned}
 K_1^{(1,1)} &= \frac{2}{15} L_u D_{11}^u, & K_1^{(2,2)} &= \frac{2}{15} L_u D_{66}^u, & K_1^{(1,5)} &= \frac{1}{15} L_u D_{11}^u, \\
 K_1^{(2,6)} &= \frac{1}{15} L_u D_{66}^u, & K_1^{(5,5)} &= \frac{8}{15} L_u D_{11}^u, & K_1^{(6,6)} &= \frac{8}{15} L_u D_{66}^u, \\
 K_1^{(1,9)} &= -\frac{1}{30} L_u D_{11}^u, & K_1^{(2,10)} &= -\frac{1}{30} L_u D_{66}^u, & K_1^{(5,9)} &= \frac{1}{15} L_u D_{11}^u, \\
 K_1^{(6,10)} &= \frac{1}{15} L_u D_{66}^u, & K_1^{(9,9)} &= \frac{2}{15} L_u D_{11}^u, & K_1^{(10,10)} &= \frac{2}{15} L_u D_{66}^u.
 \end{aligned}$$

$$[K_2] = \begin{bmatrix} 0 & K_2^{(1,2)} & 0 & 0 & 0 & K_2^{(1,6)} & 0 & 0 & 0 & K_2^{(1,10)} & 0 & 0 \\ & 0 & 0 & 0 & K_2^{(2,5)} & 0 & 0 & 0 & K_2^{(2,9)} & 0 & 0 & 0 \\ & & 0 & 0 & 0 & 0 & 0 & 0 & 0 & 0 & 0 & 0 \\ & & & 0 & 0 & 0 & 0 & 0 & 0 & 0 & 0 & 0 \\ & & & & 0 & 0 & 0 & 0 & 0 & K_2^{(5,10)} & 0 & 0 \\ & & & & & 0 & 0 & 0 & K_2^{(6,9)} & 0 & 0 & 0 \\ & & & & & & 0 & 0 & 0 & 0 & 0 & 0 \\ & & & & & & & 0 & 0 & 0 & 0 & 0 \\ & & & & & & & & 0 & K_2^{(9,10)} & 0 & 0 \\ & & & & & & & & & 0 & 0 & 0 \\ & & & & & & & & & & 0 & 0 \\ & & & & & & & & & & & 0 \\ & & & & & & & & & & & 0 \end{bmatrix}$$

Antisymm.

where

$$\begin{aligned}
 K_2^{(1,2)} &= -\frac{1}{2}(D_{12}^u - D_{66}^u), & K_2^{(1,6)} &= \frac{2}{3}(D_{12}^u + D_{66}^u), \\
 K_2^{(2,5)} &= \frac{2}{3}(D_{12}^u + D_{66}^u), & K_2^{(1,10)} &= -\frac{1}{6}(D_{12}^u + D_{66}^u), \\
 K_2^{(2,9)} &= -\frac{1}{6}(D_{12}^u + D_{66}^u), & K_2^{(5,10)} &= \frac{2}{3}(D_{12}^u + D_{66}^u), \\
 K_2^{(6,9)} &= \frac{2}{3}(D_{12}^u + D_{66}^u), & K_2^{(9,10)} &= \frac{1}{2}(D_{12}^u - D_{66}^u).
 \end{aligned}$$

$$[K_3] = \begin{bmatrix} K_3^{(1,1)} & 0 & 0 & 0 & K_3^{(1,5)} & 0 & 0 & 0 & K_3^{(1,9)} & 0 & 0 & 0 \\ & K_3^{(2,2)} & 0 & 0 & 0 & K_3^{(2,6)} & 0 & 0 & 0 & K_3^{(2,10)} & 0 & 0 \\ & & 0 & 0 & 0 & 0 & 0 & 0 & 0 & 0 & 0 & 0 \\ & & & 0 & 0 & 0 & 0 & 0 & 0 & 0 & 0 & 0 \\ & & & & K_3^{(5,5)} & 0 & 0 & 0 & K_3^{(5,9)} & 0 & 0 & 0 \\ & & & & & K_3^{(6,6)} & 0 & 0 & 0 & K_3^{(6,10)} & 0 & 0 \\ & & & & & & 0 & 0 & 0 & 0 & 0 & 0 \\ & & & & & & & 0 & 0 & 0 & 0 & 0 \\ & & & & & & & & K_3^{(9,9)} & 0 & 0 & 0 \\ & & & & & & & & & K_3^{(10,10)} & 0 & 0 \\ & & & & & & & & & & 0 & 0 \\ & & & & & & & & & & & 0 \end{bmatrix}$$

Symm.

where

$$\begin{aligned}
 K_3^{(1,1)} &= \frac{7}{3L_u} D_{66}^u, & K_3^{(2,2)} &= \frac{7}{3L_u} D_{22}^u, & K_3^{(1,5)} &= -\frac{8}{3L_u} D_{66}^u, \\
 K_3^{(2,6)} &= -\frac{8}{3L_u} D_{22}^u, & K_3^{(5,5)} &= \frac{16}{3L_u} D_{66}^u, & K_3^{(6,6)} &= \frac{16}{3L_u} D_{22}^u, \\
 K_3^{(1,9)} &= \frac{1}{3L_u} D_{66}^u, & K_3^{(2,10)} &= \frac{1}{3L_u} D_{22}^u, & K_3^{(5,9)} &= -\frac{8}{3L_u} D_{66}^u, \\
 K_3^{(6,10)} &= -\frac{8}{3L_u} D_{22}^u, & K_3^{(9,9)} &= \frac{7}{3L_u} D_{66}^u, & K_3^{(10,10)} &= \frac{7}{3L_u} D_{22}^u.
 \end{aligned}$$

APPENDIX A. MATRICES OF THE 2D WAVE PROPAGATION PROBLEM 57

$$[M_b] = \begin{bmatrix} 0 & 0 & 0 & 0 & 0 & 0 & 0 & 0 & 0 & 0 & 0 \\ & 0 & 0 & 0 & 0 & 0 & 0 & 0 & 0 & 0 & 0 \\ & & M_b^{(3,3)} & M_b^{(3,4)} & 0 & 0 & M_b^{(3,7)} & M_b^{(3,8)} & 0 & 0 & 0 \\ & & & M_b^{(4,4)} & 0 & 0 & M_b^{(4,7)} & M_b^{(4,8)} & 0 & 0 & 0 \\ & & & & 0 & 0 & 0 & 0 & 0 & 0 & 0 \\ & & & & & 0 & 0 & 0 & 0 & 0 & 0 \\ & & & & & & M_b^{(7,7)} & 0 & 0 & 0 & M_b^{(7,11)} & M_b^{(7,12)} \\ & & & & & & & M_b^{(8,8)} & 0 & 0 & M_b^{(8,11)} & M_b^{(8,12)} \\ & & & & & & & & 0 & 0 & 0 & 0 \\ & & & & & & & & & 0 & 0 & 0 \\ & & & & & & & & & & M_b^{(11,11)} & M_b^{(11,12)} \\ & & & & & & & & & & & M_b^{(12,12)} \end{bmatrix}$$

Symm.

where

$$\begin{aligned} M_b^{(3,3)} &= \frac{13}{35}\rho L_w, & M_b^{(3,4)} &= \frac{11}{210}\rho L_w^2, & M_b^{(4,4)} &= \frac{1}{105}\rho L_w^3, \\ M_b^{(3,7)} &= \frac{9}{70}\rho L_w, & M_b^{(3,8)} &= -\frac{13}{420}\rho L_w^2, & M_b^{(4,7)} &= \frac{13}{420}\rho L_w^2, \\ M_b^{(4,8)} &= -\frac{1}{140}\rho L_w^3, & M_b^{(7,7)} &= \frac{26}{35}\rho L_w, & M_b^{(8,8)} &= \frac{2}{105}\rho L_w^3, \\ M_b^{(7,11)} &= \frac{9}{70}\rho L_w, & M_b^{(7,12)} &= -\frac{13}{420}\rho L_w^2, & M_b^{(8,11)} &= \frac{13}{420}\rho L_w^2, \\ M_b^{(8,12)} &= -\frac{1}{140}\rho L_w^3, & M_b^{(11,11)} &= \frac{13}{35}\rho L_w, & M_b^{(11,12)} &= -\frac{11}{210}\rho L_w^2, \\ M_b^{(12,12)} &= \frac{1}{105}\rho L_w^3. \end{aligned}$$

$$[E_1] = \begin{bmatrix} 0 & 0 & 0 & 0 & 0 & 0 & 0 & 0 & 0 & 0 & 0 \\ & 0 & 0 & 0 & 0 & 0 & 0 & 0 & 0 & 0 & 0 \\ & & E_1^{(3,3)} & E_1^{(3,4)} & 0 & 0 & E_1^{(3,7)} & E_1^{(3,8)} & 0 & 0 & 0 \\ & & & E_1^{(4,4)} & 0 & 0 & E_1^{(4,7)} & E_1^{(4,8)} & 0 & 0 & 0 \\ & & & & 0 & 0 & 0 & 0 & 0 & 0 & 0 \\ & & & & & 0 & 0 & 0 & 0 & 0 & 0 \\ & & & & & & E_1^{(7,7)} & 0 & 0 & 0 & E_1^{(7,11)} & E_1^{(7,12)} \\ & & & & & & & E_1^{(8,8)} & 0 & 0 & E_1^{(8,11)} & E_1^{(8,12)} \\ & & & & & & & & 0 & 0 & 0 & 0 \\ & & & & & & & & & 0 & 0 & 0 \\ & & & & & & & & & & E_1^{(11,11)} & E_1^{(11,12)} \\ & & & & & & & & & & & E_1^{(12,12)} \end{bmatrix}$$

Symm.

where

$$\begin{aligned}
 E_1^{(3,3)} &= \frac{13}{35} D_{11}^w L_w, & E_1^{(3,4)} &= \frac{11}{210} D_{11}^w L_w^2, & E_1^{(4,4)} &= \frac{1}{105} D_{11}^w L_w^3, \\
 E_1^{(3,7)} &= \frac{9}{70} D_{11}^w L_w, & E_1^{(3,8)} &= -\frac{13}{420} D_{11}^w L_w^2, & E_1^{(4,7)} &= \frac{13}{420} D_{11}^w L_w^2, \\
 E_1^{(4,8)} &= -\frac{1}{140} D_{11}^w L_w^3, & E_1^{(7,7)} &= \frac{26}{35} D_{11}^w L_w, & E_1^{(8,8)} &= \frac{2}{105} D_{11}^w L_w^3, \\
 E_1^{(7,11)} &= \frac{9}{70} D_{11}^w L_w, & E_1^{(7,12)} &= -\frac{13}{420} D_{11}^w L_w^2, & E_1^{(8,11)} &= \frac{13}{420} D_{11}^w L_w^2, \\
 E_1^{(8,12)} &= -\frac{1}{140} D_{11}^w L_w^3, & E_1^{(11,11)} &= \frac{13}{35} D_{11}^w L_w, & E_1^{(11,12)} &= -\frac{11}{210} D_{11}^w L_w^2, \\
 E_1^{(12,12)} &= \frac{1}{105} D_{11}^w L_w^3.
 \end{aligned}$$

$$[E_3] = \begin{bmatrix}
 0 & 0 & 0 & 0 & 0 & 0 & 0 & 0 & 0 & 0 & 0 \\
 & 0 & 0 & 0 & 0 & 0 & 0 & 0 & 0 & 0 & 0 \\
 & & E_3^{(3,3)} & E_3^{(3,4)} & 0 & 0 & E_3^{(3,7)} & E_3^{(3,8)} & 0 & 0 & 0 \\
 & & & E_3^{(4,4)} & 0 & 0 & E_3^{(4,7)} & E_3^{(4,8)} & 0 & 0 & 0 \\
 & & & & 0 & 0 & 0 & 0 & 0 & 0 & 0 \\
 & & & & & 0 & 0 & 0 & 0 & 0 & 0 \\
 & & & & & & E_3^{(7,7)} & 0 & 0 & 0 & E_3^{(7,11)} & E_3^{(7,12)} \\
 & & & & & & & E_3^{(8,8)} & 0 & 0 & E_3^{(8,11)} & E_3^{(8,12)} \\
 & & & & & & & & 0 & 0 & 0 & 0 \\
 & & & & & & & & & 0 & 0 & 0 \\
 & & & & & & & & & & E_3^{(11,11)} & E_3^{(11,12)} \\
 \text{Symm.} & & & & & & & & & & & E_3^{(12,12)}
 \end{bmatrix}$$

where

$$\begin{aligned}
 E_3^{(3,3)} &= -\frac{12}{5L_w} (D_{12}^w + 2D_{66}^w), & E_3^{(3,4)} &= -\frac{6}{5} D_{12}^w - \frac{2}{5} D_{66}^w, \\
 E_3^{(4,4)} &= -\frac{4}{15} L_w (D_{12}^w + 2D_{66}^w), & E_3^{(3,7)} &= \frac{12}{5L_w} (D_{12}^w + 2D_{66}^w), \\
 E_3^{(3,8)} &= -\frac{1}{5} D_{12}^w - \frac{2}{5} D_{66}^w, & E_3^{(4,7)} &= \frac{1}{5} D_{12}^w + \frac{2}{5} D_{66}^w, \\
 E_3^{(4,8)} &= \frac{1}{15} L_w (D_{12}^w + 2D_{66}^w), & E_3^{(7,7)} &= -\frac{24}{5L_w} (D_{12}^w + 2D_{66}^w), \\
 E_3^{(8,8)} &= -\frac{8}{15} L_w (D_{12}^w + 2D_{66}^w), & E_3^{(7,11)} &= \frac{12}{5L_w} (D_{12}^w + 2D_{66}^w), \\
 E_3^{(7,12)} &= -\frac{1}{5} D_{12}^w - \frac{2}{5} D_{66}^w, & E_3^{(8,11)} &= \frac{1}{5} D_{12}^w + \frac{2}{5} D_{66}^w, \\
 E_3^{(8,12)} &= \frac{1}{15} L_w (D_{12}^w + 2D_{66}^w), & E_3^{(11,11)} &= -\frac{12}{5L_w} (D_{12}^w + 2D_{66}^w), \\
 E_3^{(11,12)} &= \frac{6}{5} D_{12}^w + \frac{2}{5} D_{66}^w, & E_3^{(12,12)} &= -\frac{4}{15} L_w (D_{12}^w + 2D_{66}^w).
 \end{aligned}$$

$$[E_5] = \begin{bmatrix}
 0 & 0 & 0 & 0 & 0 & 0 & 0 & 0 & 0 & 0 & 0 & 0 \\
 & 0 & 0 & 0 & 0 & 0 & 0 & 0 & 0 & 0 & 0 & 0 \\
 & & E_5^{(3,3)} & E_5^{(3,4)} & 0 & 0 & E_5^{(3,7)} & E_5^{(3,8)} & 0 & 0 & 0 & 0 \\
 & & & E_5^{(4,4)} & 0 & 0 & E_5^{(4,7)} & E_5^{(4,8)} & 0 & 0 & 0 & 0 \\
 & & & & 0 & 0 & 0 & 0 & 0 & 0 & 0 & 0 \\
 & & & & & 0 & 0 & 0 & 0 & 0 & 0 & 0 \\
 & & & & & & E_5^{(7,7)} & 0 & 0 & 0 & E_5^{(7,11)} & E_5^{(7,12)} \\
 & & & & & & & E_5^{(8,8)} & 0 & 0 & E_5^{(8,11)} & E_5^{(8,12)} \\
 & & & & & & & & 0 & 0 & 0 & 0 \\
 & & & & & & & & & 0 & 0 & 0 \\
 & & & & & & & & & & E_5^{(11,11)} & E_5^{(11,12)} \\
 \text{Symm.} & & & & & & & & & & & E_5^{(12,12)}
 \end{bmatrix}$$

where

$$\begin{aligned}
 E_5^{(3,3)} &= 12 \frac{D_{22}^w}{L_w^3}, & E_5^{(3,4)} &= 6 \frac{D_{22}^w}{L_w^2}, & E_5^{(4,4)} &= 4 \frac{D_{22}^w}{L_w}, \\
 E_5^{(3,7)} &= -12 \frac{D_{22}^w}{L_w^3}, & E_5^{(3,8)} &= 6 \frac{D_{22}^w}{L_w^2}, & E_5^{(4,7)} &= -6 \frac{D_{22}^w}{L_w^2}, \\
 E_5^{(4,8)} &= 2 \frac{D_{22}^w}{L_w}, & E_5^{(7,7)} &= 24 \frac{D_{22}^w}{L_w^3}, & E_5^{(8,8)} &= 8 \frac{D_{22}^w}{L_w}, \\
 E_5^{(7,11)} &= -12 \frac{D_{22}^w}{L_w^3}, & E_5^{(7,12)} &= 6 \frac{D_{22}^w}{L_w^2}, & E_5^{(8,11)} &= -6 \frac{D_{22}^w}{L_w^2}, \\
 E_5^{(8,12)} &= 2 \frac{D_{22}^w}{L_w}, & E_5^{(11,11)} &= 12 \frac{D_{22}^w}{L_w^3}, & E_5^{(11,12)} &= -6 \frac{D_{22}^w}{L_w^2}, \\
 E_5^{(12,12)} &= 4 \frac{D_{22}^w}{L_w}.
 \end{aligned}$$

Appendix B

2D RR Vibration of Simply Supported Members

B.1 Introduction

In this section of the study the element equations created earlier using the two-dimensional Rayleigh-Ritz approximation will be modified from their original form to model the vibration of thin-walled structural members simply supported in the longitudinal direction at their ends.

B.2 Formulation

This problem is an extension of the two-dimensional wave propagation problem derived earlier. In the wave propagation problem it is assumed that the length of the member is infinite in the $x=X$ direction. To model simple supports at the ends of the beam there are only a few minor modifications. For simple supports it is necessary that the displacements $u(0) \neq 0, u(a) \neq 0, v(0) = v(a) = w(0) = w(a) = \theta(0) = \theta(a) = 0$ where $\theta = \frac{\partial w}{\partial x}$. The vibration is assumed to be sinusoidal therefore

$$u(x) = \cos \lambda x \quad (\text{B.1})$$

$$v(x) = \sin \lambda x \quad (\text{B.2})$$

$$w(x) = \sin \lambda x \quad (\text{B.3})$$

$$\theta(x) = \sin \lambda x \quad (\text{B.4})$$

where $\lambda = \frac{m\pi}{a}$, and a is the length between supports and m is the number of half wave lengths, i.e. $m = 1, 2, 3, \dots$

Thus we assume that the nodal displacements as a function of x and t are

$$q_u(x, t) = \begin{Bmatrix} u_1(x, t) \\ u_2(x, t) \\ u_3(x, t) \end{Bmatrix} = \{Q_0^u\} e^{+i\omega t} \cos \lambda x \quad (\text{B.5})$$

and

$$q_\alpha(x, t) = \begin{Bmatrix} \alpha_1(x, t) \\ \alpha_2(x, t) \\ \alpha_3(x, t) \end{Bmatrix} = \{Q_0^\alpha\} e^{+i\omega t} \sin \lambda x \quad (\text{B.6})$$

where $\alpha = v, w, \theta$.

We now return to the element equations, Equations 2.14 and 2.35, derived earlier using plane stress analysis. However, due to changes in the order of the displacement field the rows and columns of the elemental matrices $[M]$, $[K_1]$, $[K_2]$, $[K_3]$, $[M_b]$, $[E_1]$, $[E_3]$ and $[E_5]$ must also be changed accordingly. The revised matrices are shown in Appendix C.

Substituting Equations B.5 and B.6 into Equation 2.14 results in:

$$\begin{aligned} & +\omega^2 [M] \begin{Bmatrix} \cos \lambda x \{Q_0^u\} \\ \sin \lambda x \{Q_0^v\} \\ \sin \lambda x \{Q_0^w\} \\ \sin \lambda x \{Q_0^\theta\} \end{Bmatrix} + [K_1] \begin{Bmatrix} -\lambda^2 \cos \lambda x \{Q_0^u\} \\ -\lambda^2 \sin \lambda x \{Q_0^v\} \\ -\lambda^2 \sin \lambda x \{Q_0^w\} \\ -\lambda^2 \sin \lambda x \{Q_0^\theta\} \end{Bmatrix} \\ & + [K_2] \begin{Bmatrix} -\lambda \sin \lambda x \{Q_0^u\} \\ \lambda \cos \lambda x \{Q_0^v\} \\ \lambda \cos \lambda x \{Q_0^w\} \\ \lambda \cos \lambda x \{Q_0^\theta\} \end{Bmatrix} - [K_3] \begin{Bmatrix} \cos \lambda x \{Q_0^u\} \\ \sin \lambda x \{Q_0^v\} \\ \sin \lambda x \{Q_0^w\} \\ \sin \lambda x \{Q_0^\theta\} \end{Bmatrix} = \begin{Bmatrix} \{0\} \\ \{0\} \\ \{0\} \\ \{0\} \end{Bmatrix} \end{aligned} \quad (\text{B.7})$$

Each of the matrices of Equation B.7 can be expressed in terms of zero and non-zero submatrices as shown below:

$$[M] = \begin{bmatrix} [M_u] & 0 \\ 0 & [M_v] \end{bmatrix} \quad (\text{B.8})$$

$$[K_1] = \begin{bmatrix} [K_{1u}] & 0 \\ 0 & [K_{1v}] \end{bmatrix} \quad (\text{B.9})$$

$$[K_2] = \begin{bmatrix} 0 & [K_{2v}] \\ [K_{2u}] & 0 \end{bmatrix} \quad (\text{B.10})$$

$$[K_3] = \begin{bmatrix} [K_{3u}] & 0 \\ 0 & [K_{3v}] \end{bmatrix}. \quad (\text{B.11})$$

Submatrices $[M_u]$, $[M_v]$, $[K_{1u}]$, $[K_{1v}]$, $[K_{2u}]$, $[K_{2v}]$, $[K_{3u}]$ and $[K_{3v}]$ are defined in Appendix C.

Expanding Equation B.7 results in Equations B.12 and B.13:

$$+\omega^2[M_u]\{Q_0^u\} - \lambda^2[K_{1u}]\{Q_0^u\} + \lambda[K_{2v}]\{Q_0^v\} - [K_3]\{Q_0^u\} = \{0\} \quad (\text{B.12})$$

$$+\omega^2[M_v]\{Q_0^v\} - \lambda^2[K_{1v}]\{Q_0^v\} - \lambda[K_{2u}]\{Q_0^u\} - [K_3]\{Q_0^v\} = \{0\}. \quad (\text{B.13})$$

Similarly substituting Equations B.5 and B.6 into Equation 2.35 results in:

$$+\omega^2[M_\alpha]\{Q_0^\alpha\} - \lambda^4[E_{1\alpha}]\{Q_0^\alpha\} + \lambda^2[E_{3\alpha}]\{Q_0^\alpha\} - [E_{5\alpha}]\{Q_0^\alpha\} = \{0\} \quad (\text{B.14})$$

where

$$\{Q_0^\alpha\} = \begin{Bmatrix} \{Q_0^w\} \\ \{Q_0^\theta\} \end{Bmatrix}. \quad (\text{B.15})$$

Submatrices $[M_{b\alpha}]$, $[E_{1\alpha}]$, $[E_{3\alpha}]$ and $[E_{5\alpha}]$ are defined in Appendix C.

Arranging the three equations into a convenient matrix form gives

$$\begin{bmatrix} [1] & [2] & 0 & 0 \\ [3] & [4] & 0 & 0 \\ 0 & 0 & & [5] \end{bmatrix} \begin{Bmatrix} \{Q_0^u\} \\ \{Q_0^v\} \\ \{Q_0^w\} \\ \{Q_0^\theta\} \end{Bmatrix} = \{0\} \quad (\text{B.16})$$

where

$$\begin{aligned} [1]_{3 \times 3} &= +\omega^2[M_u] - \lambda^2[K_{1u}] - [K_{3u}] \\ [2]_{3 \times 3} &= +\lambda[K_{2v}] \\ [3]_{3 \times 3} &= -\lambda[K_{2u}] \\ [4]_{3 \times 3} &= +\omega^2[M_v] - \lambda^2[K_{1v}] - [K_{3v}] \\ [5]_{6 \times 6} &= +\omega^2[M_\alpha] - \lambda^4[E_{1\alpha}] + \lambda^2[E_{3\alpha}] - [E_{5\alpha}]. \end{aligned}$$

The next step is to transform the local element equations into the global coordinate system. The transformation matrix $[T]$ is used to transform the element equations from the local to global coordinate system. Resulting in the global element equations, Equation B.17, in the form $[K_g]\{Q_0^g\} = \{0\}$.

$$[T]^T \begin{bmatrix} [1] & [2] & - & - \\ [3] & [4] & - & - \\ - & - & & [5] \end{bmatrix} [T] \begin{Bmatrix} \{Q_0^{ug}\} \\ \{Q_0^{vg}\} \\ \{Q_0^{wg}\} \\ \{Q_0^{\theta g}\} \end{Bmatrix} = \{0\} \quad (\text{B.17})$$

The elements of the transformation matrix $[T]$, in Equation B.17 are:

$$[T] = \begin{bmatrix} 1 & 0 & 0 & 0 & 0 & 0 & 0 & 0 & 0 & 0 & 0 & 0 & 0 \\ 0 & 1 & 0 & 0 & 0 & 0 & 0 & 0 & 0 & 0 & 0 & 0 & 0 \\ 0 & 0 & 1 & 0 & 0 & 0 & 0 & 0 & 0 & 0 & 0 & 0 & 0 \\ 0 & 0 & 0 & C & 0 & S & 0 & 0 & 0 & 0 & 0 & 0 & 0 \\ 0 & 0 & 0 & 0 & C & 0 & S & 0 & 0 & 0 & 0 & 0 & 0 \\ 0 & 0 & 0 & 0 & 0 & C & 0 & S & 0 & 0 & 0 & 0 & 0 \\ 0 & 0 & 0 & -S & 0 & 0 & C & 0 & 0 & 0 & 0 & 0 & 0 \\ 0 & 0 & 0 & 0 & -S & 0 & 0 & C & 0 & 0 & 0 & 0 & 0 \\ 0 & 0 & 0 & 0 & 0 & -S & 0 & 0 & C & 0 & 0 & 0 & 0 \\ 0 & 0 & 0 & 0 & 0 & 0 & 0 & 0 & 0 & 0 & 1 & 0 & 0 \\ 0 & 0 & 0 & 0 & 0 & 0 & 0 & 0 & 0 & 0 & 0 & 1 & 0 \\ 0 & 0 & 0 & 0 & 0 & 0 & 0 & 0 & 0 & 0 & 0 & 0 & 1 \end{bmatrix}$$

where $S = \sin(\theta)$ and $C = \cos(\theta)$.

B.3 Eigenvalue Problem

The global element equations, Equation B.17, are then assembled to obtain the global structure equations, Equation B.18, in the form $[K]\{Q_0^g\} = \{0\}$

$$\begin{bmatrix} [1] & [2] & 0 & 0 \\ [3] & [4] & 0 & 0 \\ 0 & 0 & & [5] \end{bmatrix} \begin{Bmatrix} \{Q_0^{ug}\} \\ \{Q_0^{vg}\} \\ \{Q_0^{wg}\} \\ \{Q_0^{\theta g}\} \end{Bmatrix} = \{0\}. \quad (\text{B.18})$$

We can now arrange Equation B.18 into the eigenvalue problem given below

$$\begin{bmatrix} [6] & [7] & - & - \\ [8] & [9] & - & - \\ - & - & [10] & - \end{bmatrix} \begin{Bmatrix} \{Q_0^{uG}\} \\ \{Q_0^{vG}\} \\ \{Q_0^{wG}\} \\ \{Q_0^{\theta G}\} \end{Bmatrix} = \omega^2 \begin{bmatrix} [11] & - & - & - \\ - & [12] & - & - \\ - & - & [13] & - \end{bmatrix} \begin{Bmatrix} \{Q_0^{uG}\} \\ \{Q_0^{vG}\} \\ \{Q_0^{wG}\} \\ \{Q_0^{\theta G}\} \end{Bmatrix} \quad (\text{B.19})$$

where

$$\begin{aligned} [6]_{3 \times 3} &= -\lambda^2[K_{1u}] - [K_{3u}] \\ [7]_{3 \times 3} &= +\lambda[K_{2v}] \\ [8]_{3 \times 3} &= -\lambda[K_{2u}] \\ [9]_{3 \times 3} &= -\lambda^2[K_{1v}] - [K_{3v}] \\ [10]_{6 \times 6} &= -\lambda^4[E_1] + \lambda^2[E_3] - [E_5] \\ [11]_{3 \times 3} &= -[M_u] \\ [12]_{3 \times 3} &= -[M_v] \\ [13]_{6 \times 6} &= -[M_w]. \end{aligned}$$

From this eigenvalue problem frequencies, ω are obtained for a given number of half wavelengths, m .

B.4 Summary

The accuracy of the plane stress model of the vibration of thin-walled structural members simply supported at their ends will be discussed in Chapter 5. The plane stress approximation will be compared to a similar approximation based on three-dimensional theory as well as the simplified analytical free vibration model which will both be presented later in the study.

Appendix C

Matrices for 2D RR Vibration Problem

In changing from the wave propagation problem to the vibration problem we must first rearrange the rows of the displacement vector $\{q(x, t)\}$. Instead of

$$\{q(x, t)\} = \begin{pmatrix} u_1(x, t) \\ v_1(x, t) \\ w_1(x, t) \\ \theta_1(x, t) \\ u_2(x, t) \\ v_2(x, t) \\ w_2(x, t) \\ \theta_2(x, t) \\ u_3(x, t) \\ v_3(x, t) \\ w_3(x, t) \\ \theta_3(x, t) \end{pmatrix} \quad (\text{C.1})$$

in the wave propagation problem, we now have

$$\{q(x, t)\} = \begin{Bmatrix} \{q_u(x, t)\} \\ \{q_v(x, t)\} \\ \{q_w(x, t)\} \\ \{q_\theta(x, t)\} \end{Bmatrix} = \begin{Bmatrix} u_1(x, t) \\ u_2(x, t) \\ u_3(x, t) \\ v_1(x, t) \\ v_2(x, t) \\ v_3(x, t) \\ w_1(x, t) \\ w_2(x, t) \\ w_3(x, t) \\ \theta_1(x, t) \\ \theta_2(x, t) \\ \theta_3(x, t) \end{Bmatrix} \quad (C.2)$$

for the vibration problem.

The end result is the rows and columns of the element matrices must also be changed. The element matrix $[M]$ for the vibration problem is shown below. The elements of the matrix have been defined in Appendix A.

$$[M] = \begin{bmatrix} M^{(1,1)} & M^{(1,5)} & M^{(1,9)} & 0 & 0 & 0 & 0 & 0 & 0 & 0 & 0 & 0 \\ & M^{(5,5)} & M^{(5,9)} & 0 & 0 & 0 & 0 & 0 & 0 & 0 & 0 & 0 \\ & & M^{(9,9)} & 0 & 0 & 0 & 0 & 0 & 0 & 0 & 0 & 0 \\ & & & M^{(2,2)} & M^{(2,6)} & M^{(2,10)} & 0 & 0 & 0 & 0 & 0 & 0 \\ & & & & M^{(6,6)} & M^{(6,10)} & 0 & 0 & 0 & 0 & 0 & 0 \\ & & & & & M^{(10,10)} & 0 & 0 & 0 & 0 & 0 & 0 \\ & & & & & & 0 & 0 & 0 & 0 & 0 & 0 \\ & & & & & & & 0 & 0 & 0 & 0 & 0 \\ & & & & & & & & 0 & 0 & 0 & 0 \\ & & & & & & & & & 0 & 0 & 0 \\ & & & & & & & & & & 0 & 0 \\ & & & & & & & & & & & 0 \\ \text{Symm.} & & & & & & & & & & & 0 \end{bmatrix}$$

It is here that we note that matrix $[M]$ is comprised of two non-zero submatrices which we will define as:

$$[M_u] = \begin{bmatrix} M^{(1,1)} & M^{(1,5)} & M^{(1,9)} \\ & M^{(5,5)} & M^{(5,9)} \\ \text{Symm.} & & M^{(9,9)} \end{bmatrix} \text{ and } [M_v] = \begin{bmatrix} M^{(2,2)} & M^{(2,6)} & M^{(2,10)} \\ & M^{(6,6)} & M^{(6,10)} \\ \text{Symm.} & & M^{(10,10)} \end{bmatrix}$$

The element matrix $[K_1]$ for the vibration problem is shown below. The elements of the matrix have been defined in Appendix A.

$$[K_1] = \begin{bmatrix} K_1^{(1,1)} & K_1^{(1,5)} & K_1^{(1,9)} & 0 & 0 & 0 & 0 & 0 & 0 & 0 & 0 & 0 \\ & K_1^{(5,5)} & K_1^{(5,9)} & 0 & 0 & 0 & 0 & 0 & 0 & 0 & 0 & 0 \\ & & K_1^{(9,9)} & 0 & 0 & 0 & 0 & 0 & 0 & 0 & 0 & 0 \\ & & & K_1^{(2,2)} & K_1^{(2,6)} & K_1^{(2,10)} & 0 & 0 & 0 & 0 & 0 & 0 \\ & & & & K_1^{(6,6)} & K_1^{(6,10)} & 0 & 0 & 0 & 0 & 0 & 0 \\ & & & & & K_1^{(10,10)} & 0 & 0 & 0 & 0 & 0 & 0 \\ & & & & & & 0 & 0 & 0 & 0 & 0 & 0 \\ & & & & & & & 0 & 0 & 0 & 0 & 0 \\ & & & & & & & & 0 & 0 & 0 & 0 \\ & & & & & & & & & 0 & 0 & 0 \\ & & & & & & & & & & 0 & 0 \\ \text{Symm.} & & & & & & & & & & & 0 \end{bmatrix}$$

It is here that we note that matrix K_1 is comprised of two non-zero submatrices which we will define as

$$[K_{1u}] = \begin{bmatrix} K_1^{(1,1)} & K_1^{(1,5)} & K_1^{(1,9)} \\ & K_1^{(5,5)} & K_1^{(5,9)} \\ \text{Symm.} & & K_1^{(9,9)} \end{bmatrix} \text{ and } [K_{1v}] = \begin{bmatrix} K_1^{(2,2)} & K_1^{(2,6)} & K_1^{(2,10)} \\ & K_1^{(6,6)} & K_1^{(6,10)} \\ \text{Symm.} & & K_1^{(10,10)} \end{bmatrix}$$

The element matrix $[K_2]$ for the vibration problem is shown next. The elements of the matrix have been defined in Appendix A.

It is here that we note that matrix K_3 is comprised of two non-zero submatrices which we will define as

$$[K_{3u}] = \begin{bmatrix} \kappa_3^{(1,1)} & \kappa_3^{(1,5)} & \kappa_3^{(1,9)} \\ & \kappa_3^{(5,5)} & \kappa_3^{(5,9)} \\ \text{Symm.} & & \kappa_3^{(9,9)} \end{bmatrix} \text{ and } [K_{3v}] = \begin{bmatrix} \kappa_3^{(2,2)} & \kappa_3^{(2,6)} & \kappa_3^{(2,10)} \\ & \kappa_3^{(6,6)} & \kappa_3^{(6,10)} \\ \text{Symm.} & & \kappa_3^{(10,10)} \end{bmatrix}$$

The element matrix $[M_b]$ for the vibration problem is shown next. The elements of the matrix have been defined in Appendix A.

$$[M_b] = \begin{bmatrix} 0 & 0 & 0 & 0 & 0 & 0 & 0 & 0 & 0 & 0 & 0 & 0 & 0 \\ & 0 & 0 & 0 & 0 & 0 & 0 & 0 & 0 & 0 & 0 & 0 & 0 \\ & & 0 & 0 & 0 & 0 & 0 & 0 & 0 & 0 & 0 & 0 & 0 \\ & & & 0 & 0 & 0 & 0 & 0 & 0 & 0 & 0 & 0 & 0 \\ & & & & 0 & 0 & 0 & 0 & 0 & 0 & 0 & 0 & 0 \\ & & & & & 0 & 0 & 0 & 0 & 0 & 0 & 0 & 0 \\ & & & & & & M_b^{(3,3)} & M_b^{(3,7)} & 0 & M_b^{(3,4)} & M_b^{(3,8)} & 0 & 0 \\ & & & & & & & M_b^{(7,7)} & M_b^{(7,11)} & M_b^{(4,7)} & 0 & M_b^{(7,12)} & 0 \\ & & & & & & & & M_b^{(11,11)} & 0 & M_b^{(8,11)} & M_b^{(11,12)} & 0 \\ & & & & & & & & & M_b^{(4,4)} & M_b^{(4,8)} & 0 & 0 \\ & & & & & & & & & & M_b^{(8,8)} & M_b^{(8,12)} & 0 \\ \text{Symm.} & & & & & & & & & & & & M_b^{(12,12)} \end{bmatrix}$$

Matrix $[M_{b\alpha}]$ is comprised of one non-zero submatrix which we will define as

$$[M_{b\alpha}] = \begin{bmatrix} M_b^{(3,3)} & M_b^{(3,7)} & 0 & M_b^{(3,4)} & M_b^{(3,8)} & 0 \\ & M_b^{(7,7)} & M_b^{(7,11)} & M_b^{(4,7)} & 0 & M_b^{(7,12)} \\ & & M_b^{(11,11)} & 0 & M_b^{(8,11)} & M_b^{(11,12)} \\ & & & M_b^{(4,4)} & M_b^{(4,8)} & 0 \\ & & & & M_b^{(8,8)} & M_b^{(8,12)} \\ \text{Symm.} & & & & & M_b^{(12,12)} \end{bmatrix}$$

The element matrix $[E_1]$ for the vibration problem is shown next. The elements of the matrix have been defined in Appendix A.

$$[E_1] = \begin{bmatrix} 0 & 0 & 0 & 0 & 0 & 0 & 0 & 0 & 0 & 0 & 0 & 0 & 0 \\ & 0 & 0 & 0 & 0 & 0 & 0 & 0 & 0 & 0 & 0 & 0 & 0 \\ & & 0 & 0 & 0 & 0 & 0 & 0 & 0 & 0 & 0 & 0 & 0 \\ & & & 0 & 0 & 0 & 0 & 0 & 0 & 0 & 0 & 0 & 0 \\ & & & & 0 & 0 & 0 & 0 & 0 & 0 & 0 & 0 & 0 \\ & & & & & 0 & 0 & 0 & 0 & 0 & 0 & 0 & 0 \\ & & & & & & E_1^{(3,3)} & E_1^{(3,7)} & 0 & E_1^{(3,4)} & E_1^{(3,8)} & 0 & 0 \\ & & & & & & & E_1^{(7,7)} & E_1^{(7,11)} & E_1^{(4,7)} & 0 & E_1^{(7,12)} & 0 \\ & & & & & & & & E_1^{(11,11)} & 0 & E_1^{(8,11)} & E_1^{(11,12)} & 0 \\ & & & & & & & & & E_1^{(4,4)} & E_1^{(4,8)} & 0 & 0 \\ & & & & & & & & & & E_1^{(8,8)} & E_1^{(8,12)} & 0 \\ & & & & & & & & & & & & E_1^{(12,12)} \end{bmatrix}$$

Symm.

Matrix $[E_1]$ is comprised of one non-zero submatrix which we will define as

$$[E_{1\alpha}] = \begin{bmatrix} E_1^{(3,3)} & E_1^{(3,7)} & 0 & E_1^{(3,4)} & E_1^{(3,8)} & 0 \\ & E_1^{(7,7)} & E_1^{(7,11)} & E_1^{(4,7)} & 0 & E_1^{(7,12)} \\ & & E_1^{(11,11)} & 0 & E_1^{(8,11)} & E_1^{(11,12)} \\ & & & E_1^{(4,4)} & E_1^{(4,8)} & 0 \\ & & & & E_1^{(8,8)} & E_1^{(8,12)} \\ & & & & & E_1^{(12,12)} \end{bmatrix}$$

Symm.

The element matrix $[E_3]$ for the vibration problem is shown next. The elements of the matrix have been defined in Appendix A.

$$[E_3] = \begin{bmatrix} 0 & 0 & 0 & 0 & 0 & 0 & 0 & 0 & 0 & 0 & 0 & 0 & 0 \\ & 0 & 0 & 0 & 0 & 0 & 0 & 0 & 0 & 0 & 0 & 0 & 0 \\ & & 0 & 0 & 0 & 0 & 0 & 0 & 0 & 0 & 0 & 0 & 0 \\ & & & 0 & 0 & 0 & 0 & 0 & 0 & 0 & 0 & 0 & 0 \\ & & & & 0 & 0 & 0 & 0 & 0 & 0 & 0 & 0 & 0 \\ & & & & & 0 & 0 & 0 & 0 & 0 & 0 & 0 & 0 \\ & & & & & & E_3^{(3,3)} & E_3^{(3,7)} & 0 & E_3^{(3,4)} & E_3^{(3,8)} & 0 & 0 \\ & & & & & & & E_3^{(7,7)} & E_3^{(7,11)} & E_3^{(4,7)} & 0 & E_3^{(7,12)} & 0 \\ & & & & & & & & E_3^{(11,11)} & 0 & E_3^{(8,11)} & E_3^{(11,12)} & 0 \\ & & & & & & & & & E_3^{(4,4)} & E_3^{(4,8)} & 0 & 0 \\ & & & & & & & & & & E_3^{(8,8)} & E_3^{(8,12)} & 0 \\ & & & & & & & & & & & & E_3^{(12,12)} \end{bmatrix}$$

Symm.

Matrix $[E_3]$ is comprised of one non-zero submatrix which we will define as

$$[E_{3\alpha}] = \begin{bmatrix} E_3^{(3,3)} & E_3^{(3,7)} & 0 & E_3^{(3,4)} & E_3^{(3,8)} & 0 \\ & E_3^{(7,7)} & E_3^{(7,11)} & E_3^{(4,7)} & 0 & E_3^{(7,12)} \\ & & E_3^{(11,11)} & 0 & E_3^{(8,11)} & E_3^{(11,12)} \\ & & & E_3^{(4,4)} & E_3^{(4,8)} & 0 \\ & & & & E_3^{(8,8)} & E_3^{(8,12)} \\ \text{Symm.} & & & & & E_3^{(12,12)} \end{bmatrix}$$

The element matrix $[E_5]$ for the vibration problem is shown next. The elements of the matrix have been defined in Appendix A.

$$[E_5] = \begin{bmatrix} 0 & 0 & 0 & 0 & 0 & 0 & 0 & 0 & 0 & 0 & 0 & 0 & 0 \\ & 0 & 0 & 0 & 0 & 0 & 0 & 0 & 0 & 0 & 0 & 0 & 0 \\ & & 0 & 0 & 0 & 0 & 0 & 0 & 0 & 0 & 0 & 0 & 0 \\ & & & 0 & 0 & 0 & 0 & 0 & 0 & 0 & 0 & 0 & 0 \\ & & & & 0 & 0 & 0 & 0 & 0 & 0 & 0 & 0 & 0 \\ & & & & & 0 & 0 & 0 & 0 & 0 & 0 & 0 & 0 \\ & & & & & & E_5^{(3,3)} & E_5^{(3,7)} & 0 & E_5^{(3,4)} & E_5^{(3,8)} & 0 & \\ & & & & & & & E_5^{(7,7)} & E_5^{(7,11)} & E_5^{(4,7)} & 0 & E_5^{(7,12)} & \\ & & & & & & & & E_5^{(11,11)} & 0 & E_5^{(8,11)} & E_5^{(11,12)} & \\ & & & & & & & & & E_5^{(4,4)} & E_5^{(4,8)} & 0 & \\ & & & & & & & & & & E_5^{(8,8)} & E_5^{(8,12)} & \\ \text{Symm.} & & & & & & & & & & & & E_5^{(12,12)} \end{bmatrix}$$

Matrix $[E_5]$ is comprised of one non-zero submatrix which we will define as

$$[E_{5\alpha}] = \begin{bmatrix} E_5^{(3,3)} & E_5^{(3,7)} & 0 & E_5^{(3,4)} & E_5^{(3,8)} & 0 \\ & E_5^{(7,7)} & E_5^{(7,11)} & E_5^{(4,7)} & 0 & E_5^{(7,12)} \\ & & E_5^{(11,11)} & 0 & E_5^{(8,11)} & E_5^{(11,12)} \\ & & & E_5^{(4,4)} & E_5^{(4,8)} & 0 \\ & & & & E_5^{(8,8)} & E_5^{(8,12)} \\ \text{Symm.} & & & & & E_5^{(12,12)} \end{bmatrix}$$

Appendix D

3D RR Vibration of Simply Supported Members

D.1 Introduction

In this section the element equations created earlier using the three-dimensional stiffness approximation will be modified from their original form to model the vibration of thin-walled structural members simply supported at their ends.

D.2 Formulation

This problem is an extension of the three-dimension wave propagation problem derived earlier. In the wave propagation problem it is assumed that free-free conditions exist at the end supports. To model simple supports at the ends of the beam there are only a few slight modifications. For simple supports it is necessary that the displacements $u(0) \neq 0, u(a) \neq 0, v(0) = v(a) = w(0) = w(a) = 0$. The vibration is assumed to be sinusoidal therefore

$$u(x) = \cos\lambda x \tag{D.1}$$

$$v(x) = \sin\lambda x \tag{D.2}$$

$$w(x) = \sin\lambda x \tag{D.3}$$

where $\lambda = \frac{m\pi}{a}$, and a is the length between supports and m is the number of half wave lengths, i.e. $m = 1, 2, 3, \dots$. Thus we assume that

$$q_u(x, t) = \begin{Bmatrix} u_1(x, t) \\ u_2(x, t) \\ \vdots \\ u_n(x, t) \end{Bmatrix} = \{Q_0^u\} e^{+i\omega t} \cos \lambda x \quad (D.4)$$

and

$$q_\alpha(x, t) = \begin{Bmatrix} \alpha_1(x, t) \\ \alpha_2(x, t) \\ \vdots \\ \alpha_n(x, t) \end{Bmatrix} = \{Q_0^\alpha\} e^{+i\omega t} \sin \lambda x \quad (D.5)$$

where $\alpha = v, w$ and n is the number of nodes in the variable-number-nodes two-dimensional element.

Substituting Equations D.4 and D.5 into the element equations derived earlier using Hamilton's principle, Equation 3.27, we get:

$$\begin{aligned} & +\omega^2 [M] \begin{Bmatrix} \cos \lambda x \{Q_0^u\} \\ \sin \lambda x \{Q_0^v\} \\ \sin \lambda x \{Q_0^w\} \end{Bmatrix} + [K_1] \begin{Bmatrix} -\lambda^2 \cos \lambda x \{Q_0^u\} \\ -\lambda^2 \sin \lambda x \{Q_0^v\} \\ -\lambda^2 \sin \lambda x \{Q_0^w\} \end{Bmatrix} \\ & + [K_2] \begin{Bmatrix} -\lambda \sin \lambda x \{Q_0^u\} \\ \lambda \cos \lambda x \{Q_0^v\} \\ \lambda \cos \lambda x \{Q_0^w\} \end{Bmatrix} - [K_3] \begin{Bmatrix} \cos \lambda x \{Q_0^u\} \\ \sin \lambda x \{Q_0^v\} \\ \sin \lambda x \{Q_0^w\} \end{Bmatrix} = \begin{Bmatrix} \{0\} \\ \{0\} \\ \{0\} \end{Bmatrix} \end{aligned} \quad (D.6)$$

where

$$[M] = \begin{bmatrix} [M_u] & 0 & 0 \\ 0 & [M_{v_1}] & [M_{w_1}] \\ 0 & [M_{v_2}] & [M_{w_2}] \end{bmatrix} \quad (D.7)$$

$$[K_1] = \begin{bmatrix} [K_{1u}] & 0 & 0 \\ 0 & [K_{1v_1}] & [K_{1w_1}] \\ 0 & [K_{1v_2}] & [K_{1w_2}] \end{bmatrix} \quad (D.8)$$

$$[K_2] = \begin{bmatrix} 0 & [K_{2v}] & [K_{2w}] \\ [K_{2u_1}] & 0 & 0 \\ [K_{2u_2}] & 0 & 0 \end{bmatrix} \quad (D.9)$$

$$[K_3] = \begin{bmatrix} [K_{3u}] & 0 & 0 \\ 0 & [K_{3v_1}] & [K_{3w_1}] \\ 0 & [K_{3v_2}] & [K_{3w_2}] \end{bmatrix} \quad (D.10)$$

Expanding Equation D.6 results in Equations D.11, D.12 and D.13:

$$+\omega^2[M_u]\{Q_0^u\} - \lambda^2[K_{1u}]\{Q_0^u\} + \lambda[K_{2v_1}]\{Q_0^v\} + \lambda[K_{2v_2}]\{Q_0^v\} - [K_{3u}]\{Q_0^u\} = \{0\} \quad (D.11)$$

$$+\omega^2[M_{v_1}]\{Q_0^v\} + \omega^2[M_{w_1}]\{Q_0^w\} - \lambda^2[K_{1v_1}]\{Q_0^v\} - \lambda^2[K_{1w_1}]\{Q_0^w\} - \lambda[K_{2u_1}]\{Q_0^u\} - [K_{3v_1}]\{Q_0^v\} - [K_{3w_1}]\{Q_0^w\} = \{0\} \quad (D.12)$$

$$+\omega^2[M_{v_2}]\{Q_0^v\} + \omega^2[M_{w_2}]\{Q_0^w\} - \lambda^2[K_{1v_2}]\{Q_0^v\} - \lambda^2[K_{1w_2}]\{Q_0^w\} - \lambda[K_{2u_2}]\{Q_0^u\} - [K_{3v_2}]\{Q_0^v\} - [K_{3w_2}]\{Q_0^w\} = \{0\}. \quad (D.13)$$

Arranging the four equations into a convenient matrix form

$$\begin{bmatrix} [1] & [2] & [3] \\ [4] & [5] & [6] \\ [7] & [8] & [9] \end{bmatrix} \begin{Bmatrix} \{Q_0^u\} \\ \{Q_0^v\} \\ \{Q_0^w\} \end{Bmatrix} = \begin{Bmatrix} \{0\} \\ \{0\} \\ \{0\} \end{Bmatrix} \quad (D.14)$$

where

$$\begin{aligned} [1] &= +\omega^2[M_u] - \lambda^2[K_{1u}] - [K_{3u}] \\ [2] &= +\lambda[K_{2v_1}] \\ [3] &= +\lambda[K_{2v_2}] \\ [4] &= -\lambda[K_{2u_1}] \\ [5] &= +\omega^2[M_{v_1}] - \lambda^2[K_{1v_1}] - [K_{3v_1}] \\ [6] &= +\omega^2[M_{w_1}] - \lambda^2[K_{1w_1}] - [K_{3w_1}] \\ [7] &= -\lambda[K_{2u_2}] \\ [8] &= +\omega^2[M_{v_2}] - \lambda^2[K_{1v_2}] - [K_{3v_2}] \\ [9] &= +\omega^2[M_{w_2}] - \lambda^2[K_{1w_2}] - [K_{3w_2}] \end{aligned}$$

D.3 Eigenvalue Problem

The global element equations, Equation D.14, are then assembled to obtain the global structure equations, Equation D.15, in the form $[\mathbf{K}]\{\mathbf{Q}_0^g\} = \{0\}$, as

$$\begin{bmatrix} [1] & [2] & [3] \\ [4] & [5] & [6] \\ [7] & [8] & [9] \end{bmatrix} \begin{Bmatrix} \{Q_0^{ug}\} \\ \{Q_0^{vg}\} \\ \{Q_0^{wg}\} \end{Bmatrix} = \begin{Bmatrix} \{0\} \\ \{0\} \\ \{0\} \end{Bmatrix} \quad (\text{D.15})$$

We can arrange Equation D.15 into the eigenvalue problem below:

$$\begin{bmatrix} [10] & [11] & [12] \\ [13] & [14] & [15] \\ [16] & [17] & [18] \end{bmatrix} \begin{Bmatrix} \{Q_0^{ug}\} \\ \{Q_0^{vg}\} \\ \{Q_0^{wg}\} \end{Bmatrix} = \omega^2 \begin{bmatrix} [19] & 0 & 0 \\ 0 & [20] & [21] \\ 0 & [22] & [23] \end{bmatrix} \begin{Bmatrix} \{Q_0^{ug}\} \\ \{Q_0^{vg}\} \\ \{Q_0^{wg}\} \end{Bmatrix} \quad (\text{D.16})$$

where

$$\begin{aligned} [10] &= -\lambda^2[K_{1u}] - [K_{3u}] \\ [11] &= +\lambda[K_{2v_1}] \\ [12] &= +\lambda[K_{2v_2}] \\ [13] &= -\lambda[K_{2u_1}] \\ [14] &= -\lambda^2[K_{1v_1}] - [K_{3v_1}] \\ [15] &= -\lambda^2[K_{1v_1}] - [K_{3v_1}] \\ [16] &= -\lambda[K_{2u_2}] \\ [17] &= -\lambda^2[K_{1v_2}] - [K_{3v_2}] \\ [18] &= -\lambda^2[K_{1v_2}] - [K_{3v_2}] \\ [19] &= -\omega^2[M_u] \\ [20] &= -\omega^2[M_{v_1}] \\ [21] &= -\omega^2[M_{w_1}] \\ [22] &= -\omega^2[M_{v_2}] \\ [23] &= -\omega^2[M_{w_2}]. \end{aligned}$$

From this eigenvalue problem frequencies, ω are obtained for a given number of half wavelengths, m .

D.4 Summary

The accuracy of the three-dimension model of the vibration of thin-walled structural members simply supported at their ends is discussed in Chapter 5. The three-

dimension approximation will be compared to a similar approximation based on two-dimensional theory as well as a simplified free vibration model.

Appendix E

Coefficients of Matrix $[P]$

The elements of the matrix $[P]$ appearing in Equation 4.14 are given below:

$$[P] = \begin{bmatrix} p_{11} & p_{12} & p_{13} & p_{14} \\ p_{21} & p_{22} & p_{23} & p_{24} \\ p_{31} & p_{32} & p_{33} & p_{43} \\ p_{41} & p_{42} & p_{43} & p_{44} \end{bmatrix} \quad (\text{E.1})$$

where

$$\begin{aligned} p_{11} &= \frac{D_{66}}{\Delta_1} jk [d \cos(2hr_1) - c b \cos(2hr_2)] \\ p_{21} &= \frac{D_{66}}{\Delta_1} [-r_1 a_1 d \sin(2hr_1) + r_2 c \sin(2hr_2)] \\ p_{31} &= \frac{D_{66}^2}{\Delta_1} c d [\cos(2hr_1) - \cos(2hr_2)] \\ p_{41} &= \frac{D_{66}^2}{\Delta_1} jk [-r_1 d (1 + a_1) \sin(2hr_1) + r_2 c (1 + b_1) \sin(2hr_2)] \\ p_{12} &= \frac{D_{66}}{\Delta_2} k^2 [-r_2 (1 + b_1) \sin(2hr_1) + b_1 r_1 (1 + a_1) \sin(2hr_2)] \\ p_{22} &= \frac{D_{66}}{\Delta_2} jk r_1 r_2 [a_1 (1 + b_1) \cos(2hr_1) - (1 + a_1) \cos(2hr_2)] \\ p_{32} &= \frac{D_{66}^2}{\Delta_2} jk [c r_2 (1 + b_1) \sin(2hr_1) + -d r_1 (1 + a_1) \sin(2hr_2)] \\ p_{42} &= \frac{D_{66}^2}{\Delta_2} k^2 r_1 r_2 (1 + a_1) (1 + b_1) [-\cos(2hr_1) + \cos(2hr_2)] \\ p_{13} &= \frac{b_1 k^2}{\Delta_1} [\cos(2hr_1) - \cos(2hr_2)] \\ p_{23} &= \frac{jk}{\Delta_1} [r_1 a_1 b_1 \sin(2hr_1) - r_2 \sin(2hr_2)] \end{aligned} \quad (\text{E.2})$$

$$\begin{aligned}
p_{33} &= \frac{D_{66}}{\Delta_1} jk[-b_1 c \cos(2hr_1) + d \cos(2hr_2)] \\
p_{43} &= \frac{D_{66}}{\Delta_1} k^2[-r_1 b_1(1+a_1) \sin(2hr_1) + r_2(1+b_1) \sin(2hr_2)] \\
p_{14} &= \frac{jk}{\Delta_2}[-r_2 \sin(2hr_1) - a_1 b_1 r_1 \sin(2hr_2)] \\
p_{24} &= \frac{a_1}{\Delta_2} r_1 r_2[-\cos(2hr_1) + \cos(2hr_2)] \\
p_{43} &= \frac{D_{66}}{\Delta_2} [-r_2 c \sin(2hr_1) + r_1 a_1 d \sin(2hr_2)] \\
p_{44} &= \frac{D_{66}}{\Delta_2} jk r_1 r_2[-(1+a_1) \cos(2hr_1) + a_1(1+b_1) \sin(2hr_2)] \\
c &= (1-\bar{\delta})k^2 - \bar{\beta} r_1^2 a_1; \quad d = (1-\bar{\delta})k^2 b_1 - \bar{\beta} r_2^2, \\
\Delta_1 &= D_{66} jk \bar{\beta} r_2^2 \left(\frac{r_1^2}{r_2^2} a_1 b_1 - 1\right); \quad \Delta_2 = D_{66} jk r_1 r_2 (a_1 b_1 - 1), \\
h &= y_{i+1} - y_i = h_i.
\end{aligned} \tag{E.3}$$